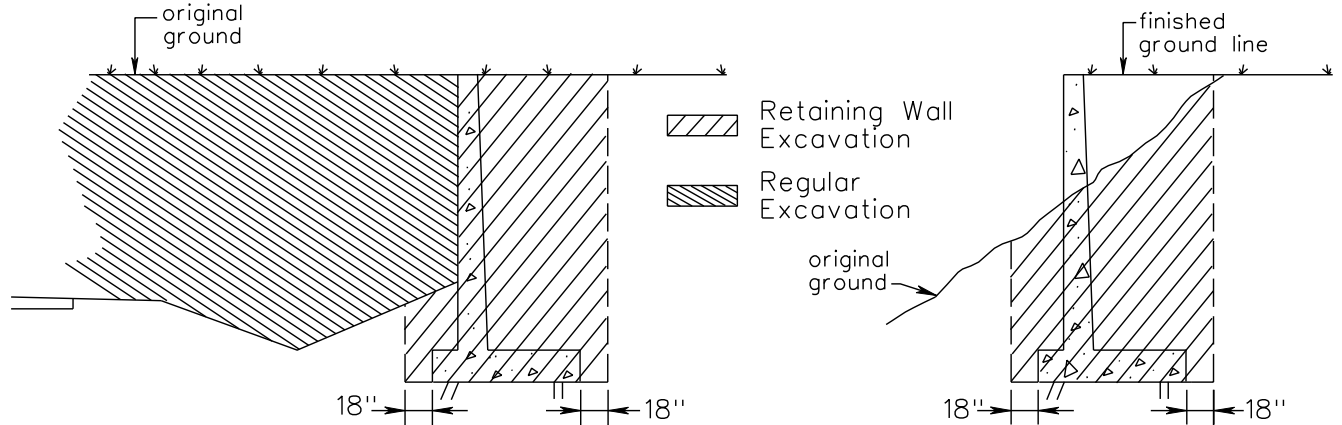
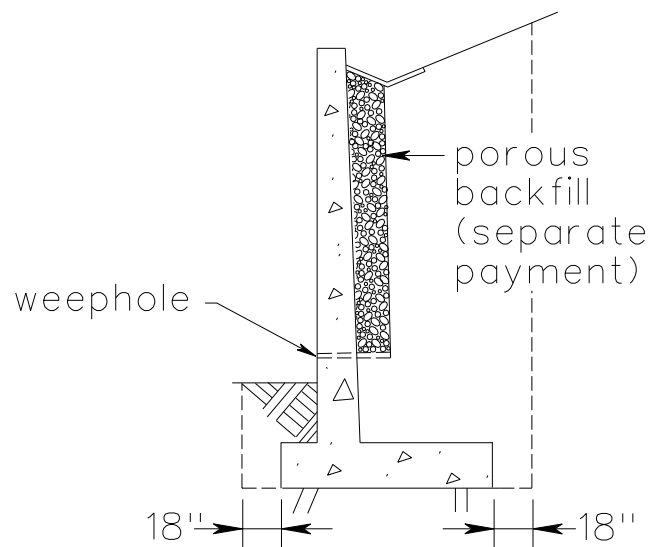


**EXAMPLES****SUMMARY**

- Retaining Walls are summarized on the Incidental Summary; therefore, Retaining Wall Excavation should also be summarized on the Incidental Summary, and paid for as Cu. Yds. of Retaining Wall Excavation.
- Retaining Wall Excavation should denote the symbol (⊗) for payment on basis of plan quantity. For additional information on plan quantity see [Chapter 2G.](#)\*



Porous backfill is included in the price bid for Retaining Wall Excavation if only required within an 18" cube for drainage behind the weep hole as required in Section 401.11 of the [Road and Bridge Specifications](#).

\* Rev. 7/14