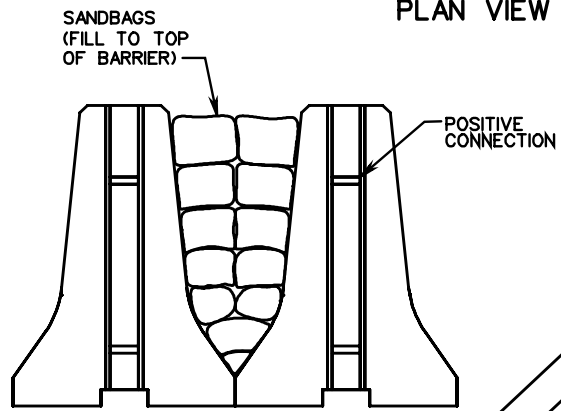


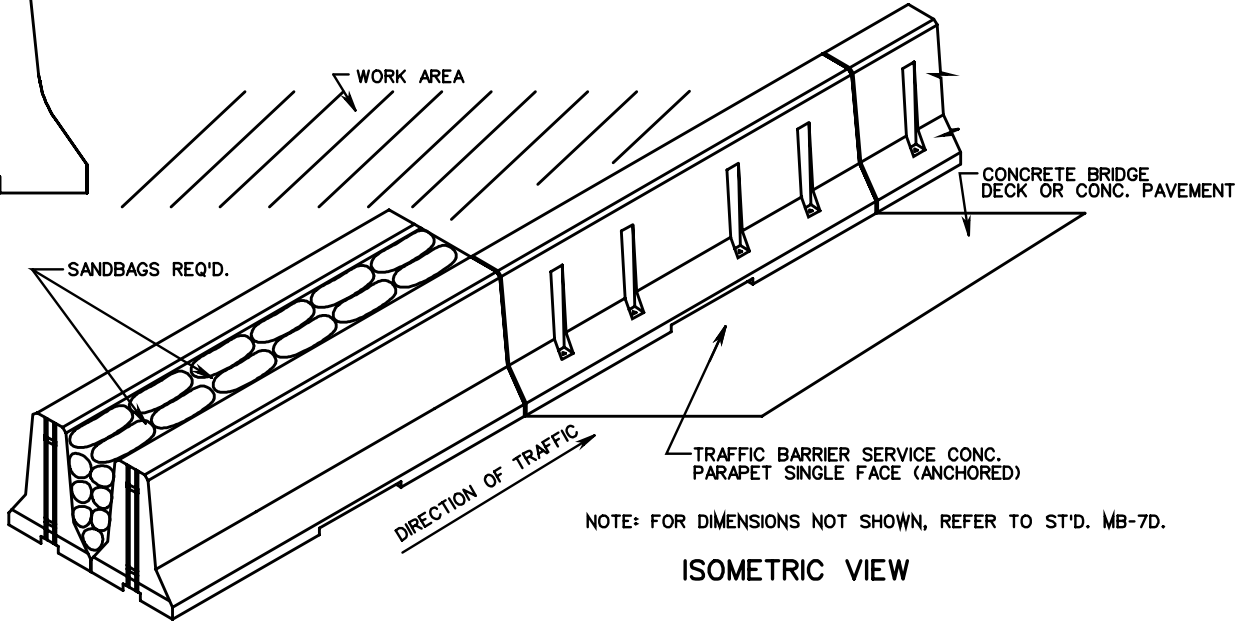
BASIS OF PAYMENT:
 TRAFFIC BARRIER SERVICE LATERAL SUPPORT WILL BE MEASURED AND PAID FOR IN UNITS OF EACH COMPLETE IN PLACE AND SHALL INCLUDE FURNISHING AND PLACING PRECAST CONCRETE BARRIERS (TBS CONCRETE) AND SAND BAGS, MAINTENANCE, REMOVAL WHEN NO LONGER NECESSARY, AND ALL MATERIALS, LABOR, TOOLS, EQUIPMENTS, AND INCIDENTALS NECESSARY TO COMPLETE THE WORK.

FOR POSITIVE CONNECTION DETAIL AND DIMENSIONS SEE STANDARD MB-INS, SHEETS 501.59-501.61.

PLAN VIEW



SECTION A-A



ISOMETRIC VIEW

SPECIFICATION REFERENCE

BUTTING TRAFFIC BARRIER SERVICE TO SINGLE FACE PARAPET SERVICE

VIRGINIA DEPARTMENT OF TRANSPORTATION