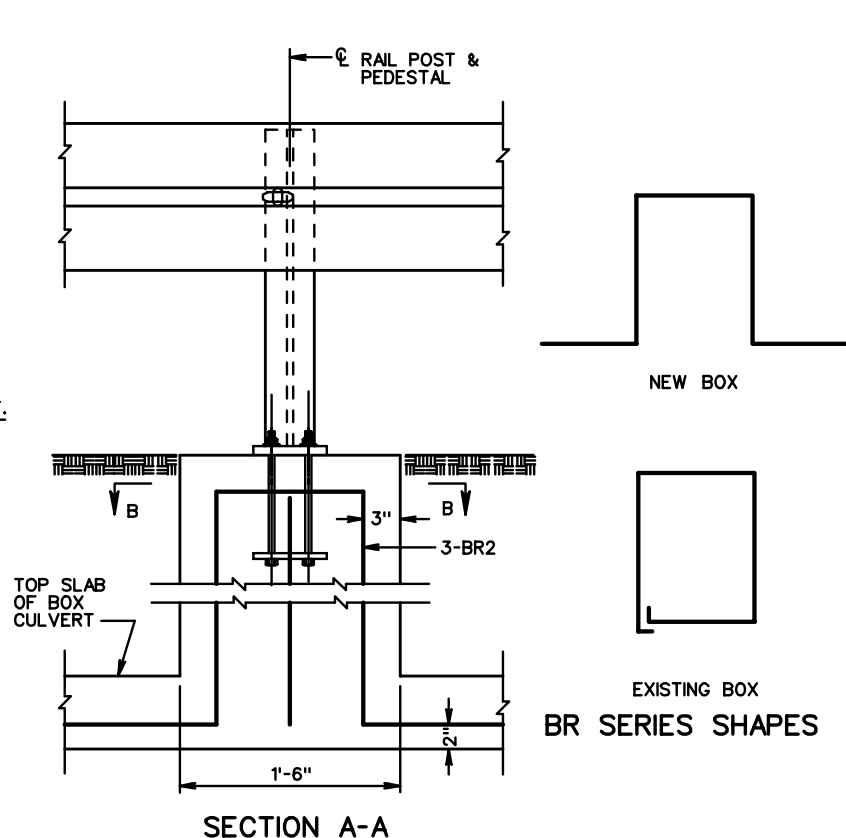
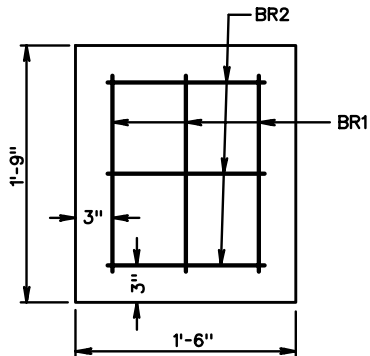


PART TRANSVERSE SECTION

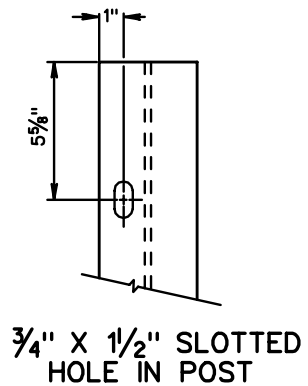


SECTION A-A

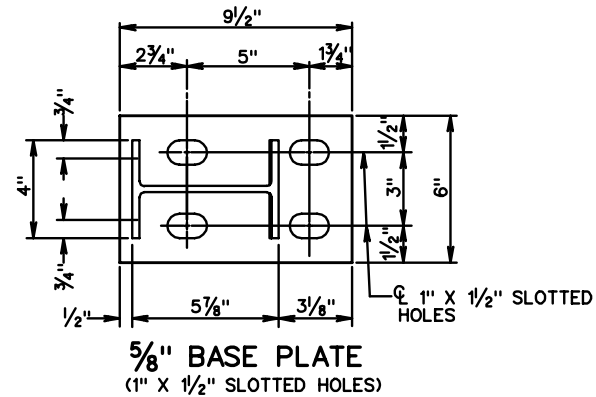


SECTION B-B

(ANCHOR BOLTS NOT SHOWN)



3/4" X 1/2" SLOTTED HOLE IN POST



5/8" BASE PLATE
(1" X 1/2" SLOTTED HOLES)

**STANDARD BOX CULVERT GUARDRAIL
(TEXAS T-6)**