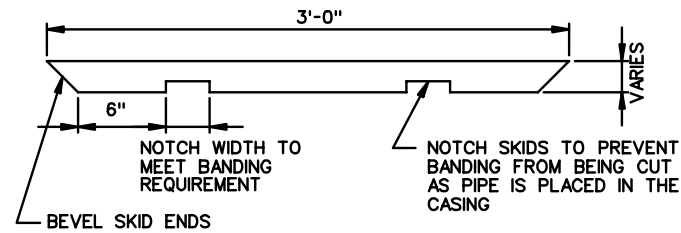
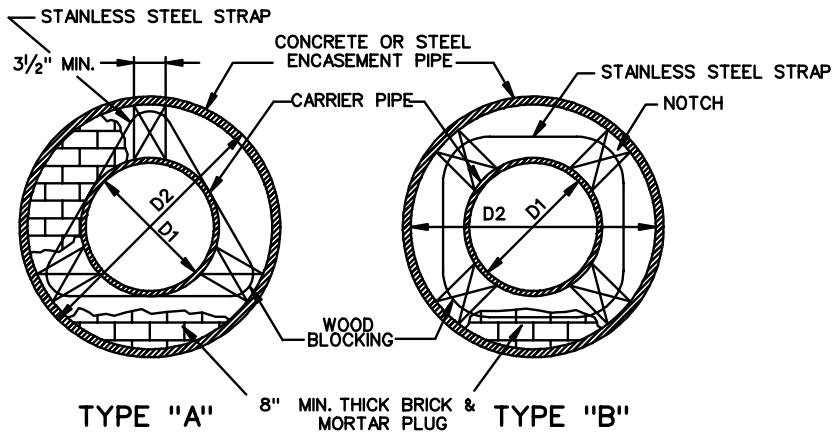


SECTION
ENCASUREMENT PIPE WITH CARRIER PIPE



SKID



CONCRETE OR STEEL ENCASUREMENT PIPE

ENCASEMENT PIPE I.D. (IN.)	STEEL ENCASEMENT PIPE MINIMUM THICKNESS	
	COVER TO 15 FEET	COVER 15 FT. & OVER
12"	1/4"	↑ USE MIN. 5/16"
16"	1/4"	
18"	1/4"	↓
24"	1/4"	
30"	3/8"	3/8"
36"	3/8"	3/8"
48"	7/16"	7/16"
54"	7/16"	7/16"
60"	7/16"	7/16"

NOTES:

1. TIMBER SKIDS SHALL BE LOCUST, CYPRESS, PRESERVATIVE TREATED HARDWOOD, NEOPRENE, NYLON, PLASTIC OR OTHER MATERIAL OF HIGH ABRASION RESISTANCE AND A LOW FRICTION COEFFICIENT APPROVED BY THE ENGINEER. PRESERVATIVE FOR TIMBER SKIDS SHALL CONFORM TO SECTION 236 OF THE SPECIFICATIONS.
2. METAL STRAPS AND CLIPS HOLDING BLOCKING TO CARRIER PIPE SHALL BE STAINLESS STEEL WITH A MINIMUM CROSS SECTION OF 0.014 SQ. IN. STRAP SPACING SHALL BE A MINIMUM OF TWO (2) BANDS PER SKID LENGTH.
3. STEEL ENCASEMENT PIPE SHALL BE GRADE B AND SHALL CONFORM TO SECTION 232.02 (C)7 OF THE SPECIFICATIONS.
4. CARRIER PIPE SHALL BE PUSHED OR PULLED THROUGH THE ENCASEMENT PIPE SO THAT JOINTS ARE ALWAYS BEING COMPRESSED.
5. CARRIER PIPE SHALL BE WRAPPED WITH TAR PAPER AT MASONRY PLUG.
6. MASONRY PLUG SHALL BE WATERTIGHT.
7. CONCRETE PIPE FOR H-20 LIVE LOAD AS PER STANDARD PC-1.
8. ENCASEMENT PIPE SHALL BE BEDDED IN ACCORDANCE WITH STANDARD PB-1.