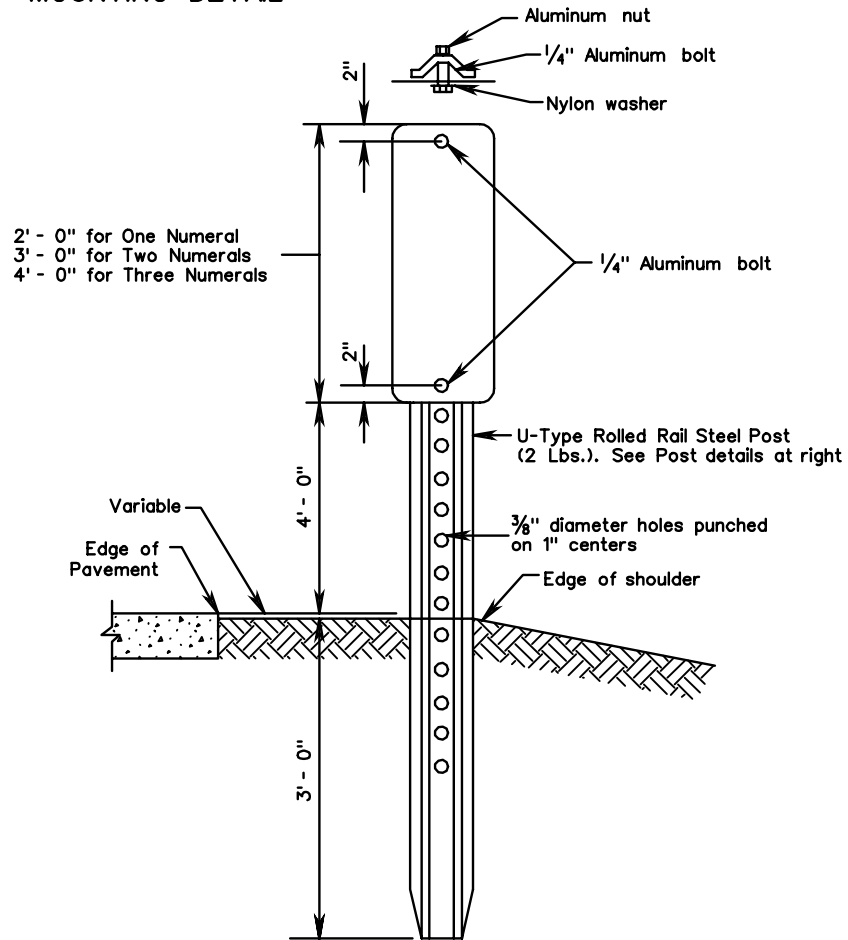


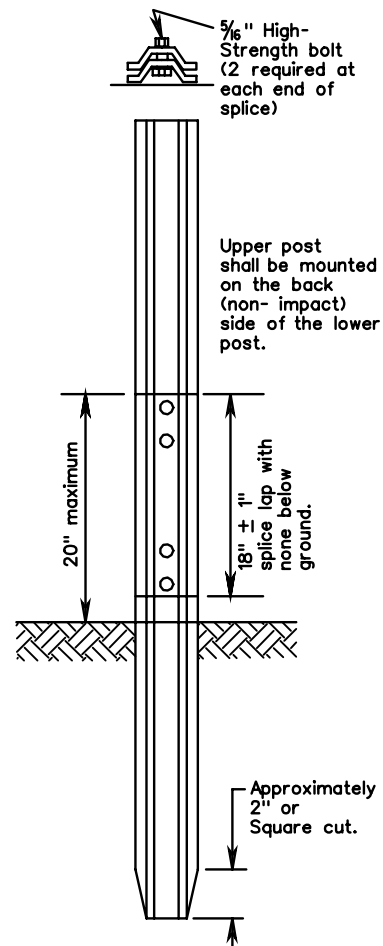
MM-1

MOUNTING DETAIL

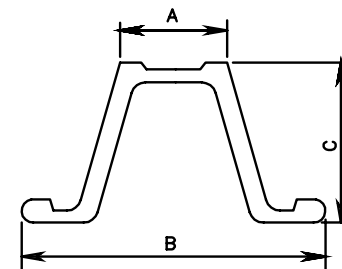


USP-1

SPLICING DETAIL



POST SECTION DIMENSIONS



1.33 Lb./LF

Minimum	Maximum
A. 1/2"	1"
B. 2"	2 1/4"
C. 3/4"	1 1/4"

2.00 Lb./LF

Minimum	Maximum
A. 1 5/64"	1 3/32"
B. 3 1/16"	3 1/8"
C. 1 7/64"	1 3/64"

3.00 Lb./LF

Minimum	Maximum
A. 1 7/64"	1 5/8"
B. 3 3/16"	3 1/2"
C. 1 1/2"	1 7/8"

Length is variable
Weight is linear foot

Notes:

Driving cap to be used when driving post.

Panel to be fabricated of ASTM B209 alloy 6061-T6 or 5052-H38, 0.080 thick.

Top of panel to be flush with top of post.

ERECTION

Milepost markers to be located in line with delineator posts, edge of shoulder or back of guardrail, if present.

Curb face to sign edge:
Pavement top to sign bottom:
Curb top to sign bottom:
Sign face to pavement edge:

D10-4	D10-5	D10-6
2'	2'	2'
4'	4'	4'
4'	4'	4'
93°	93°	93°

TYPICAL DETAILS FOR MILEPOST MARKERS & U-TYPE STEEL POST STRUCTURES

VIRGINIA DEPARTMENT OF TRANSPORTATION