

SECTION A-A

6061-T6 Aluminum Alloy
1/4"-20 hexagon head
nut to be installed with
torque not to exceed
25 in. Lbs.

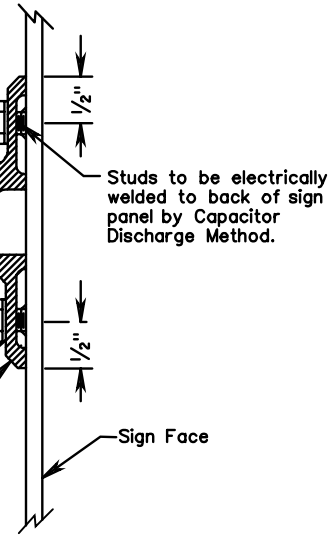
5356-H32 Aluminum Alloy
1/4"-20x1/2" long stud

Type 304 stainless steel
cup point set screw
3/8"-16x1/2" long
NC-2 socket head to
be provided in each
panel clip.

Zee Bar 6061-T6
Aluminum Alloy.

7075-T6 Aluminum Alloy
0.255 I. D. 0.493 O. D.
x 0.062" thick spring
lockwasher.

6061-T6 Aluminum
Panel clip



SECTION B-B

Sign Face

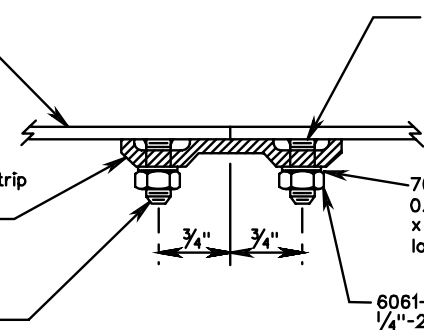
1/8" Thick backing strip
6061-T6 Aluminum
Extrusion.

5356-H32 Aluminum
Alloy 1/4"-20x1/2"
long stud.

Studs to be electrically
welded to back of sign
panel by Capacitor
Discharge Method.

7075-T6 Aluminum Alloy
0.255 I. D. 0.493 O. D.
x 0.062" thick spring
lockwasher.

6061-T6 Aluminum Alloy
1/4"-20 hexagon head
nut to be installed with
torque not to exceed
25 in. Lbs.



SIGN PANEL DESIGN