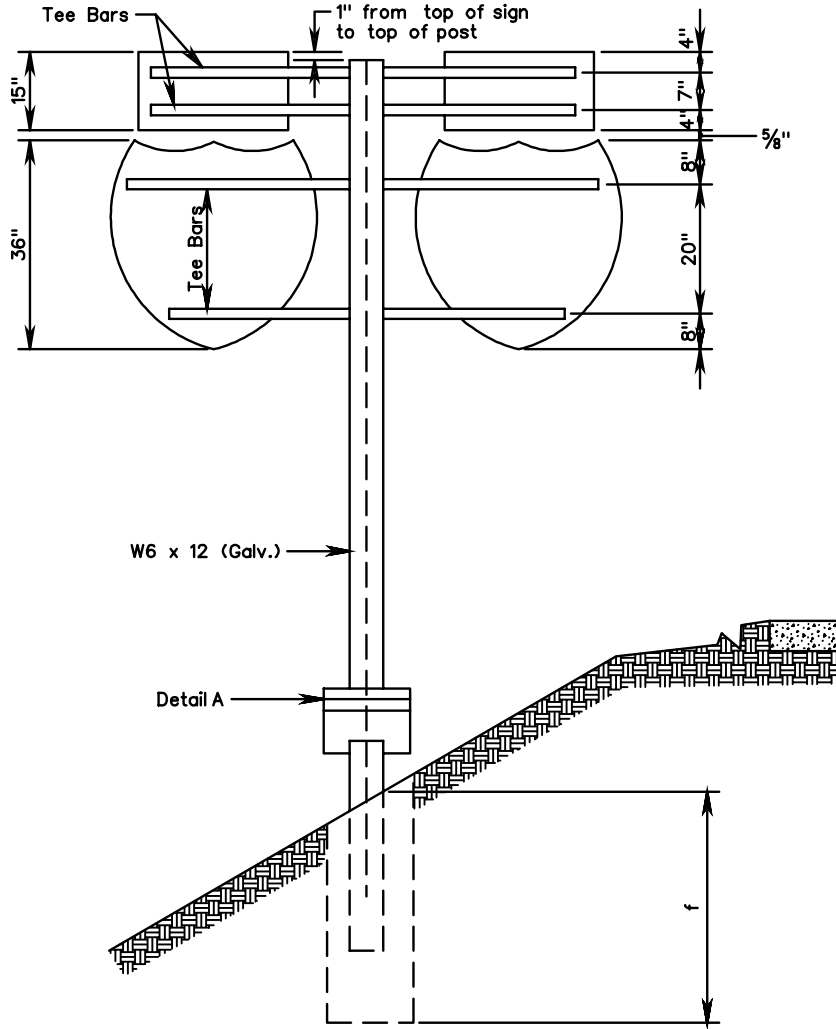


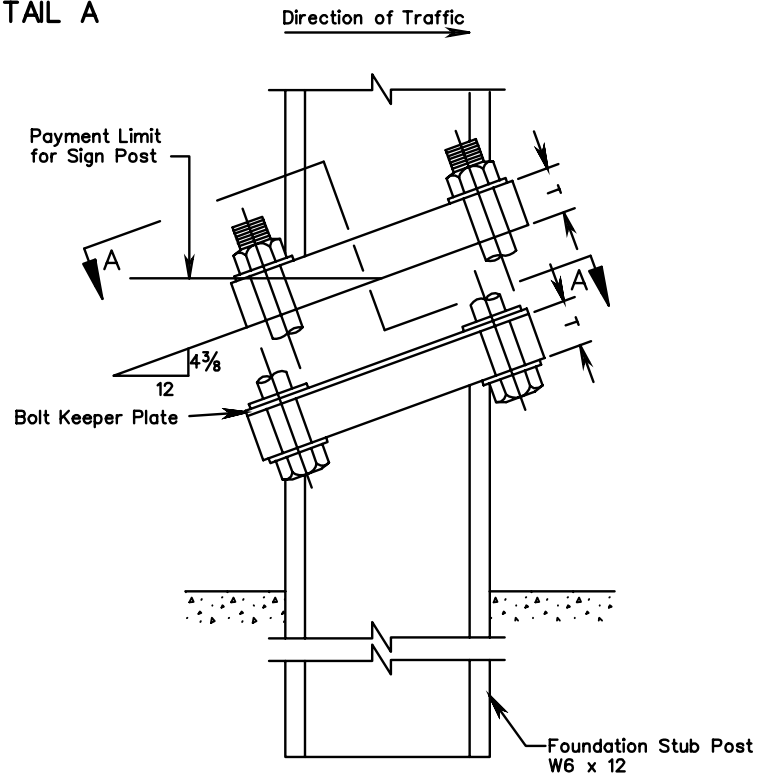
### TYPE VA-A2



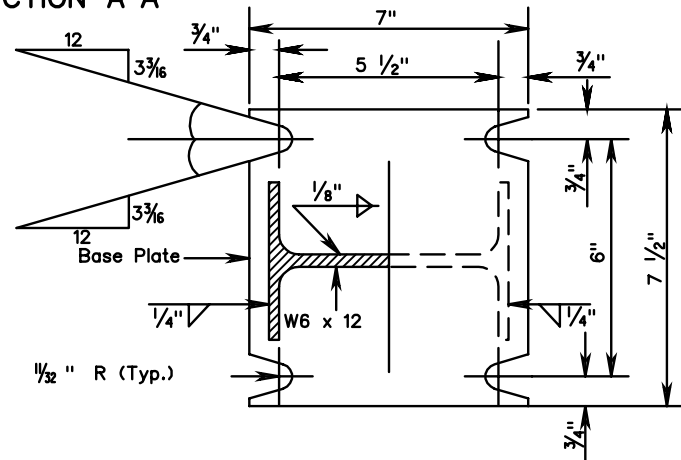
### NOTES:

- There is to be a maximum space of 1" between signs
- Cardinal directions are to be centered above shields.
- For details of shims, tee bars, clamps, and other notes, see standard 1301.63.

### DETAIL A



### SECTION A-A



# TYPICAL DETAILS FOR TYPE VA SIGN STRUCTURES

VIRGINIA DEPARTMENT OF TRANSPORTATION