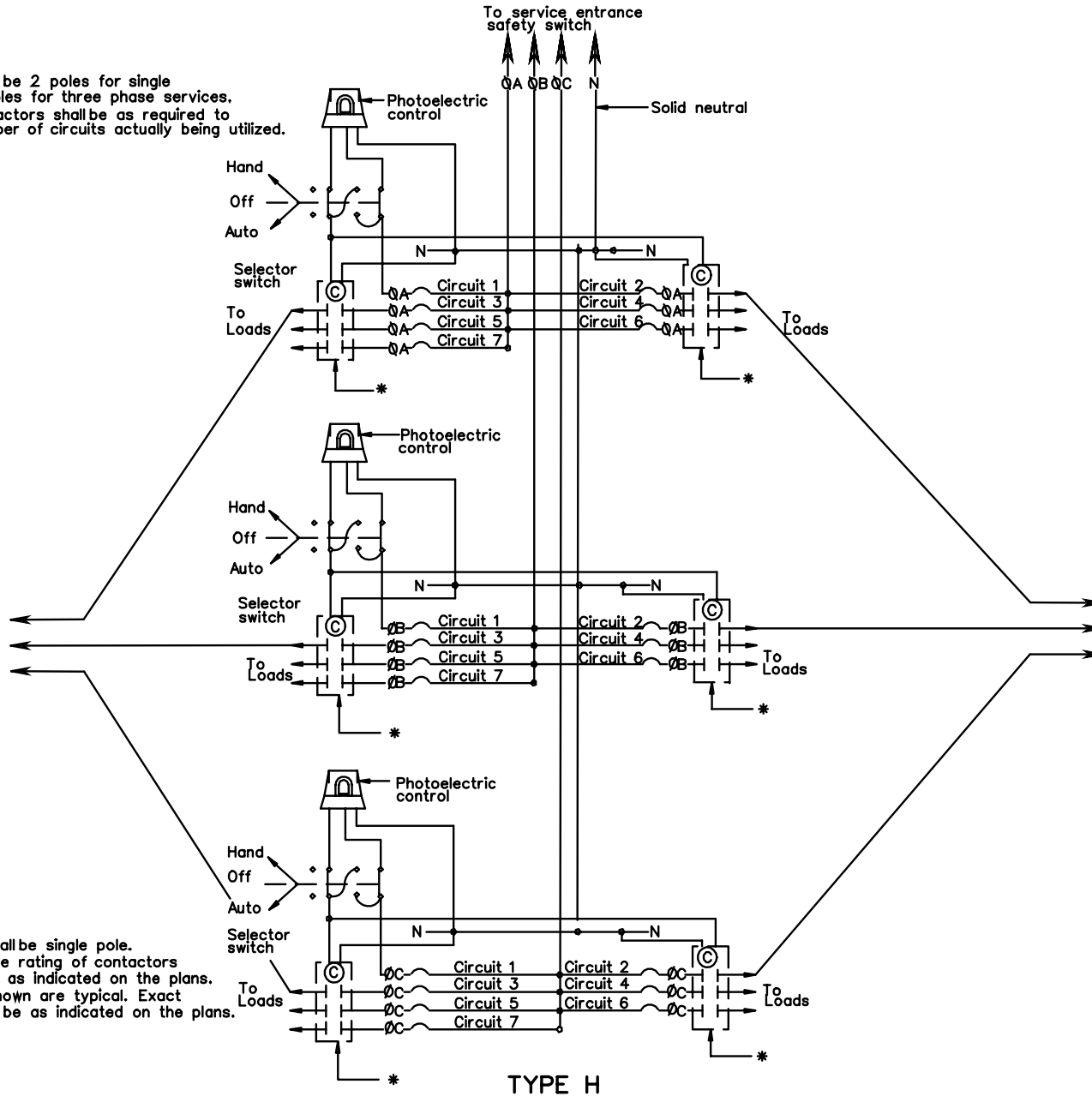


\* Contactors shall be 2 poles for single phase and 3 poles for three phase services. Number of contactors shall be as required to handle the number of circuits actually being utilized.



Notes:  
 All circuit Breakers shall be single pole.  
 Voltage and amperage rating of contactors and breakers shall be as indicated on the plans.  
 Number of circuits shown are typical. Exact number required shall be as indicated on the plans.

## CONTROL CENTER WIRING DETAILS