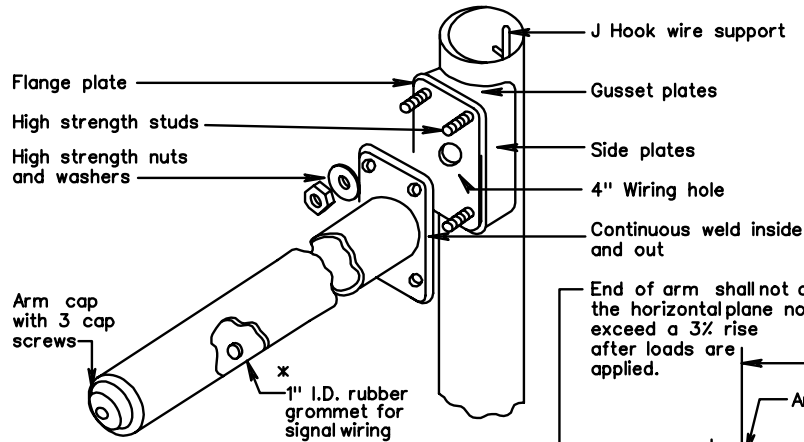
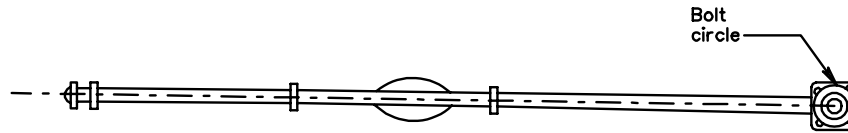
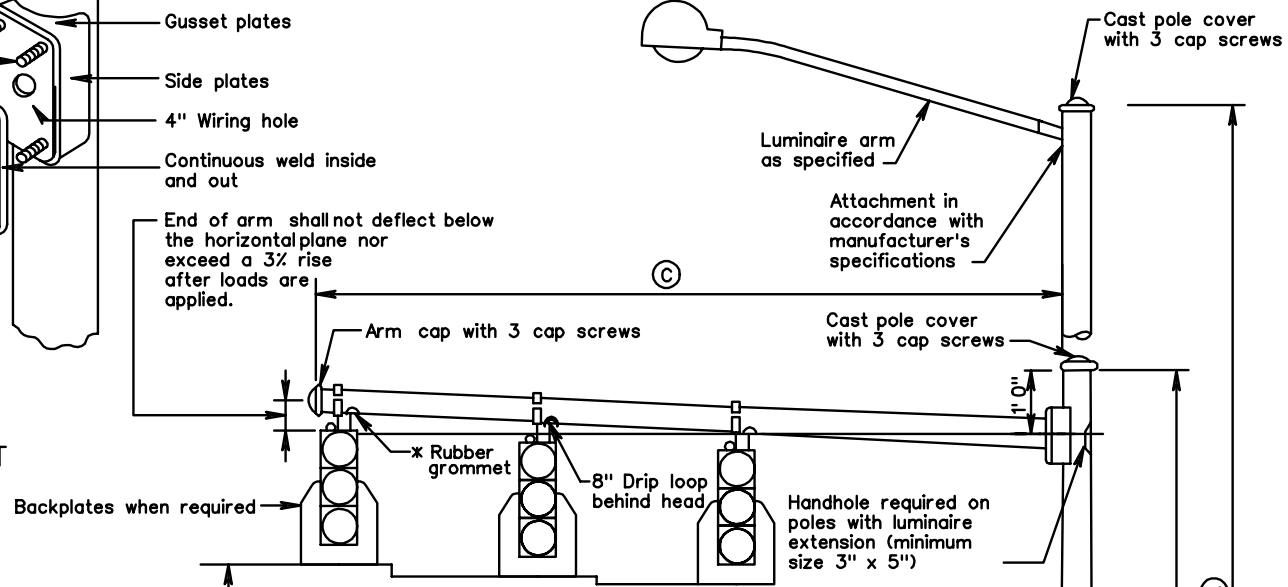


* Hole and grommet for signal wiring shall be located on the side of the arm directly behind the hanger assembly when Standard SM-3 hanger assemblies are required. Signal wiring shall be concealed in the Standard SM-3 hanger assemblies.

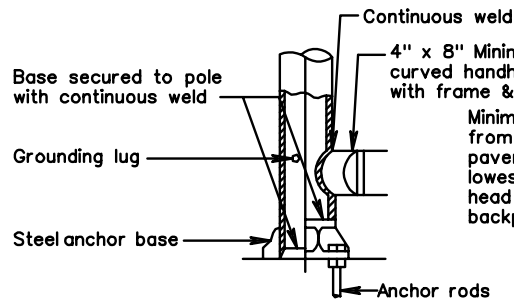


ARM AND SIGNAL ATTACHMENT



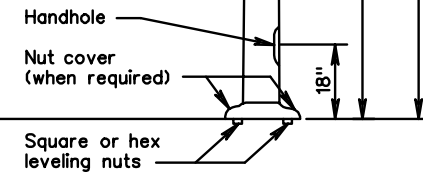
NOTES:

- (A) Pole shaft length and mast arm mounting height shall be as required to obtain specified mounting height of traffic signal heads and luminaires.
- (B) As required by plans (height includes transformer base when required).
- (C) As required by plans



HANDHOLE DETAIL

Minimum 15' clearance from highest point of the pavement surface to lowest point of signal head assembly including backplate.



**SIGNAL POLE DETAILS
(MAST ARM AND COMBINATION LUMINAIRE MAST ARM POLE)**