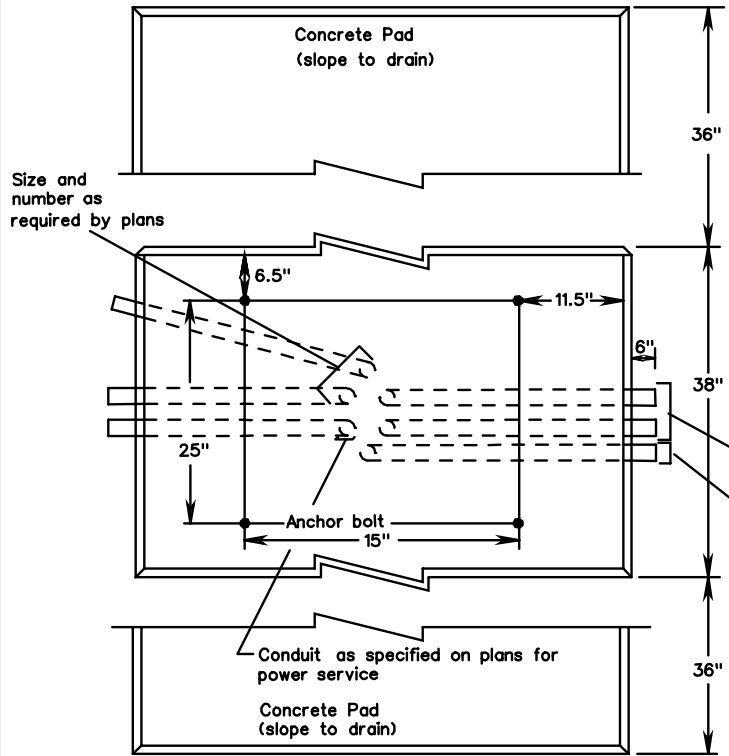
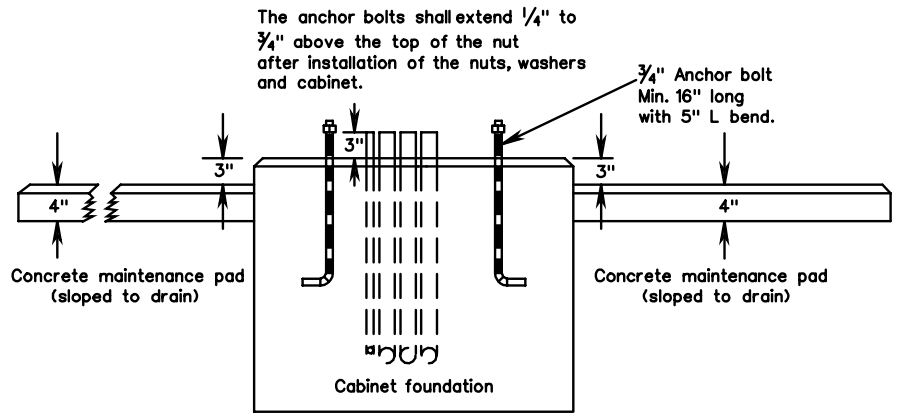


TOP VIEW



SIDE VIEW

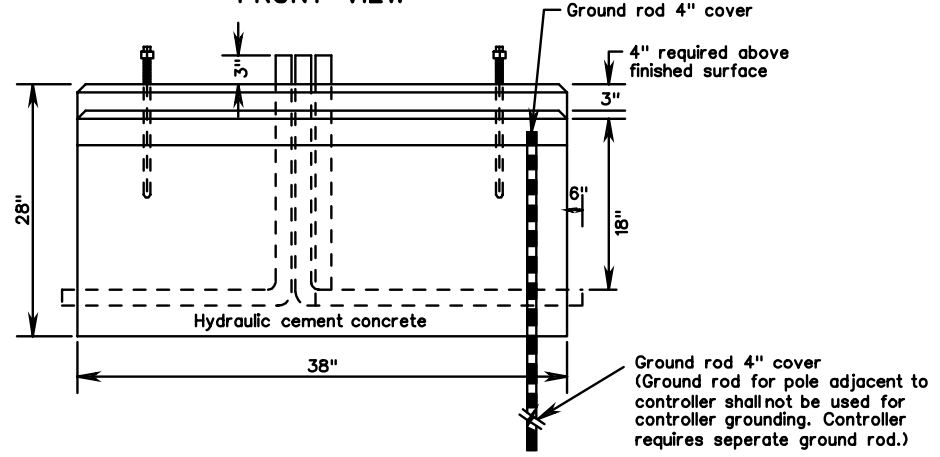


2-2" Conduits required for future use shall be stubbed out and capped. Note that additional spare conduits may be required by the plans.

1-1/2" Conduit required for ground wire.

● Ground rod

FRONT VIEW



Notes:

- All exposed concrete surface edges shall be chamfered $\frac{3}{4}$ ".
- Anchor bolts, bolt circle template and metalriser shall be furnished with cabinet. Cabinet shall be centered on foundation with riser attached to foundation & cabinet installed on metalriser.
- Voids remaining after conductors exit or enter bell ends or bushings of conduits shall be sealed with silicone to prevent moisture or rodent entry.
- Conduits entering the foundation shall be arranged in a circular pattern. The Contractor shall submit a conduit arrangement plan for approval prior to placement. Each foundation shall be permanently marked to indicate all sides from which conduits pass. This mark shall be made with a trowel when finishing the concrete and shall be $\frac{1}{4}$ " deep and 4" to 6" long. Locations of empty conduits shall have an additional 2" long mark made perpendicular to and centered on this marking.
- The controller cabinet at the inside and outside foundation joints shall be sealed with a silicone sealant.
- Bell ends shall be installed on each end of PVC conduits. Empty conduits shall be plugged to prevent moisture and rodent entry.
- Grounding bushings shall be installed on each end of metal conduits. Empty conduits shall be plugged to prevent moisture and rodent entry.
- Two - $\frac{1}{2}$ " diameter weepholes shall be provided in the foundation and located 2" inside of the back or side edges of the controller cabinet. Weepholes shall be sloped to allow outlet to be 3" below top of foundation. Two inches of the outlet end shall be fiber filled.

CONTROLLER CABINET FOUNDATION AND CONDUIT PLACEMENT DETAILS