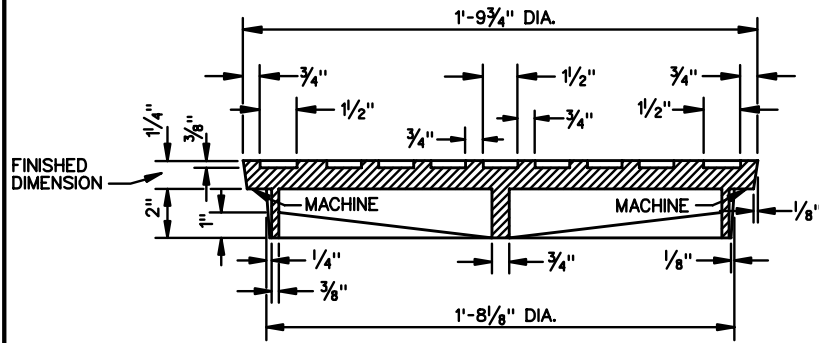
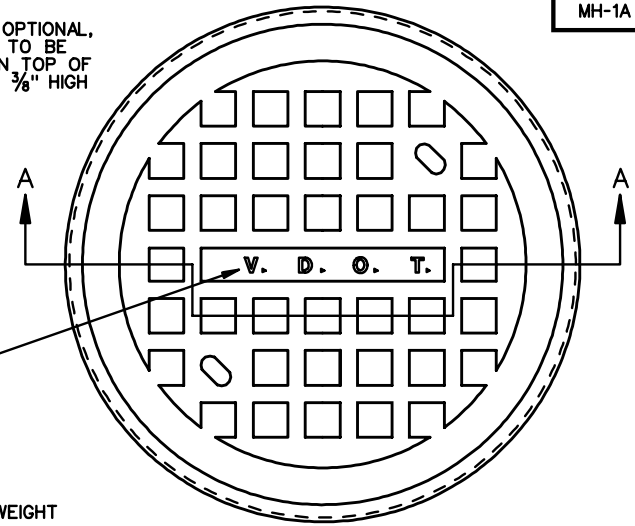


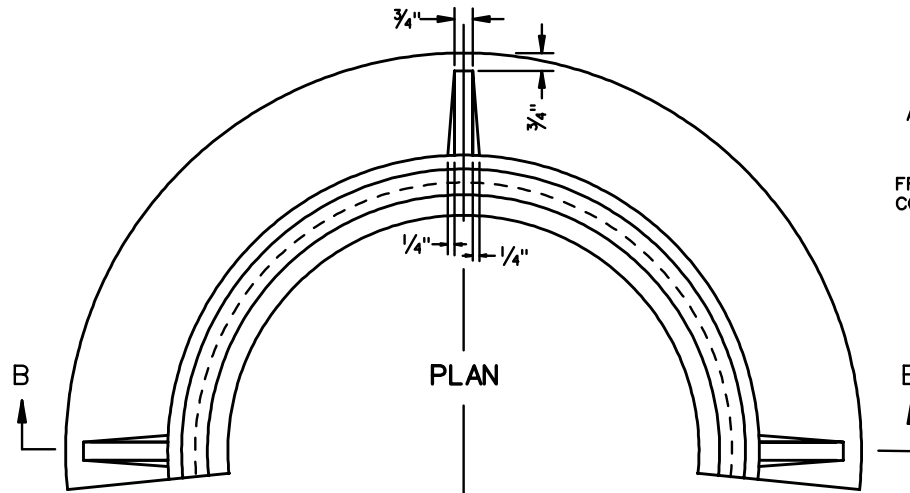
NOTES:  
 THE LETTERS V.D.O.T. ARE OPTIONAL,  
 IF USED THE LETTERS ARE TO BE  
 CAST IN THE DEPRESSION IN TOP OF  
 COVER 1" WIDE AND RAISED 3/8" HIGH  
 AS SHOWN.



SECTION A-A

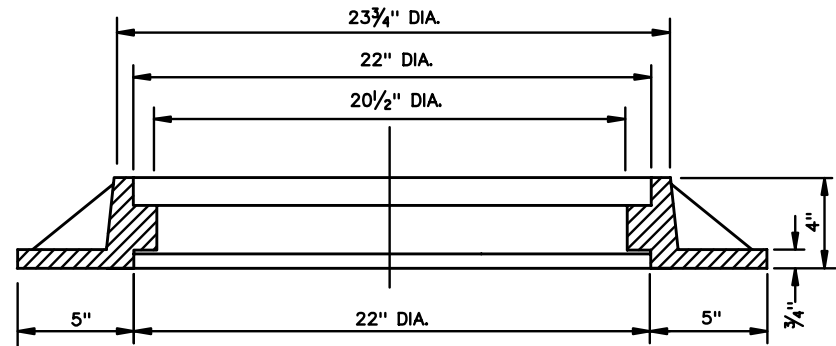


TOP

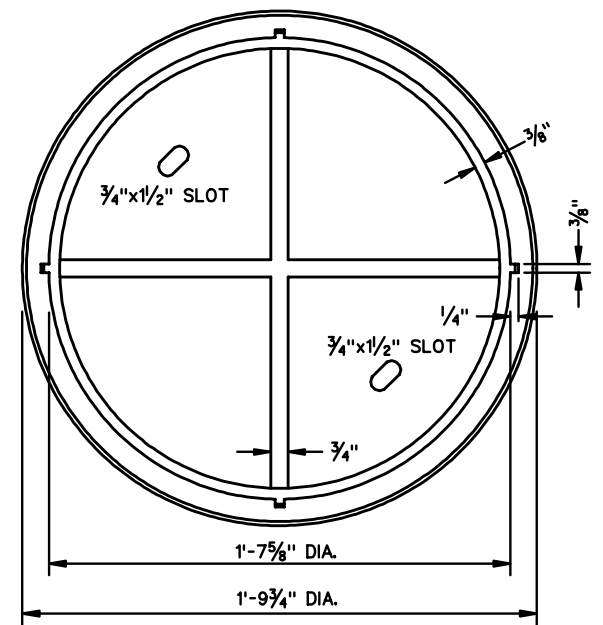


PLAN

APPROXIMATE WEIGHT  
 CAST IRON  
 FRAME 174 ± 9 LBS.  
 COVER 137 ± 7 LBS.



SECTION B-B



BOTTOM

SPECIFICATION REFERENCE
224
302

# STANDARD MANHOLE FRAME AND COVER

VIRGINIA DEPARTMENT OF TRANSPORTATION