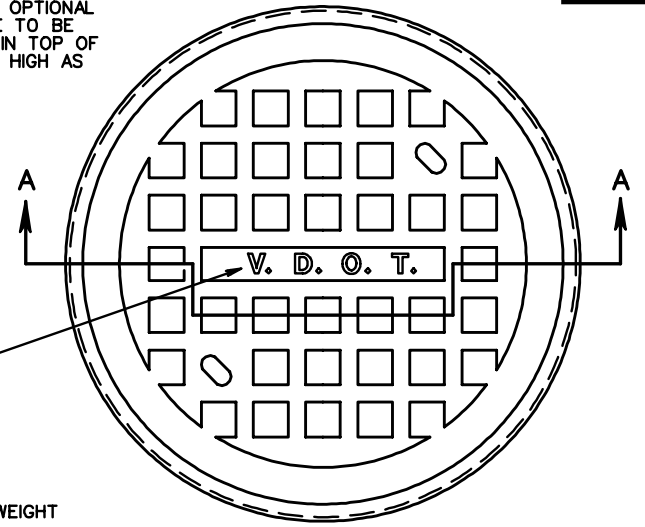


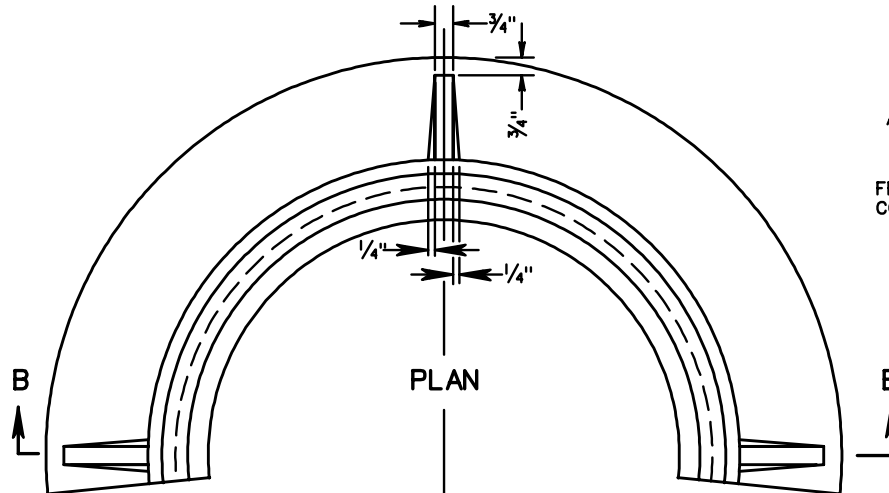
SECTION A-A

THE LETTERS V.D.O.T. ARE OPTIONAL  
IF USED THE LETTERS ARE TO BE  
CAST IN THE DEPRESSION IN TOP OF  
COVER 1\"/>

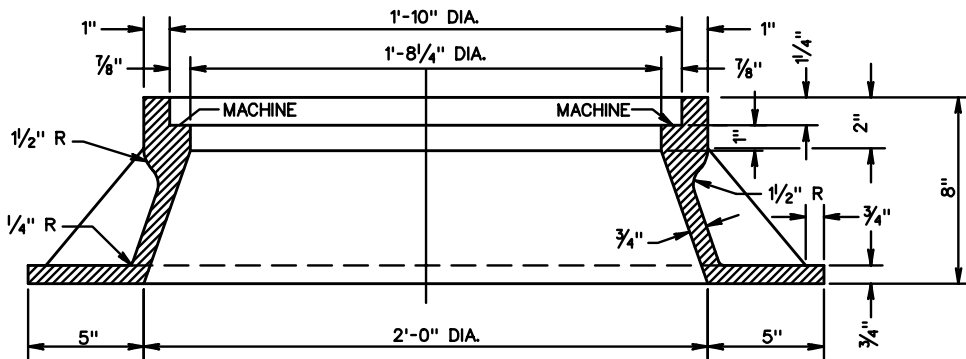


TOP

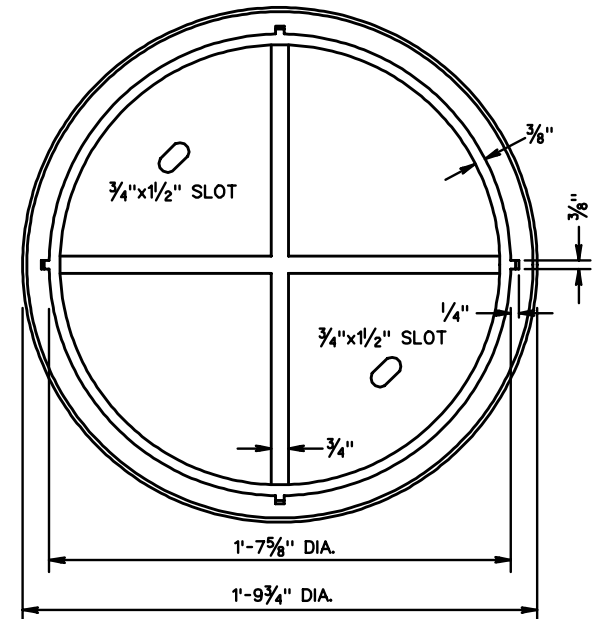
APPROXIMATE WEIGHT  
CAST IRON  
FRAME 239 ± 12 LBS.  
COVER 137 ± 7 LBS.



PLAN



SECTION B-B



BOTTOM

|                         |
|-------------------------|
| SPECIFICATION REFERENCE |
| 224                     |
| 302                     |

# STANDARD MANHOLE FRAME AND COVER

VIRGINIA DEPARTMENT OF TRANSPORTATION