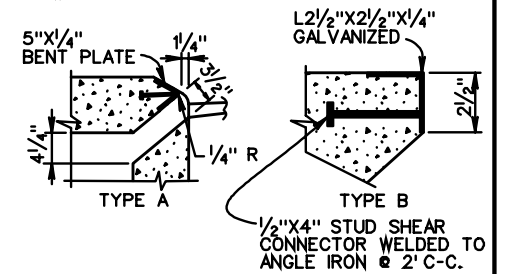


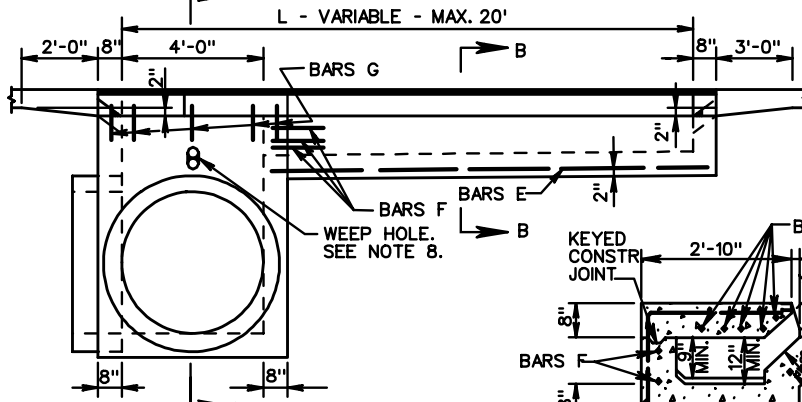
PLAN VIEW

GALVANIZED PLATE TO BE BENT ON AN ANGLE OF 68° 30' AND IS TO BE ANCHORED WITH 1/2" X 4" STUD SHEAR CONNECTORS WELDED TO BENT PLATE AT 2' C-C.

TYPE A NOSE DETAIL SHALL BE USED WITH CG-3 AND CG-7 STANDARDS. TYPE B NOSE DETAIL SHALL BE USED WITH CG-2 AND CG-6 STANDARDS.

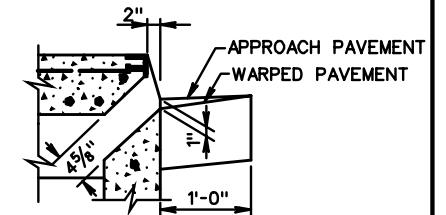


NOSE DETAILS

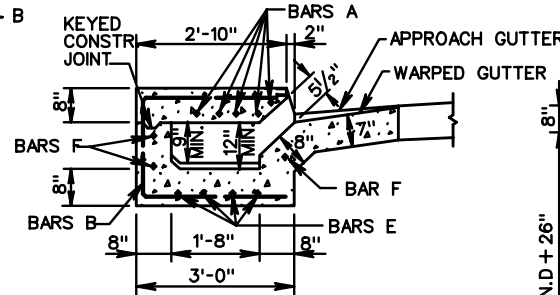


FRONT ELEVATION VIEW  
(GUTTER REMOVED)

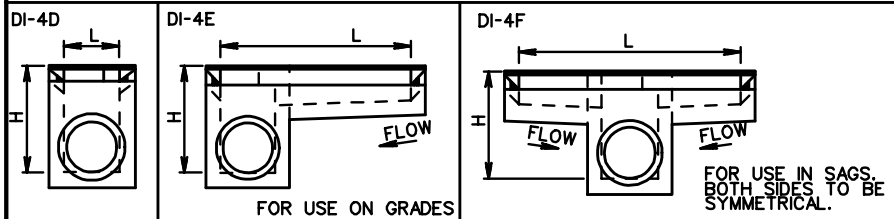
SECTION B-B



DETAIL WHEN USED  
ADJACENT TO CURB  
WITHOUT GUTTER



SECTION A-A



SPECIFICATION REFERENCE
233
302

**STANDARD CURB DROP INLET**  
**36" - 48" PIPE: MAXIMUM DEPTH (H) - 8' ( WITH UTILITY SPACE )**  
**54" - 60" MAX. PIPE: MAX. (H) - 8' ( WITHOUT UTILITY SPACE )**