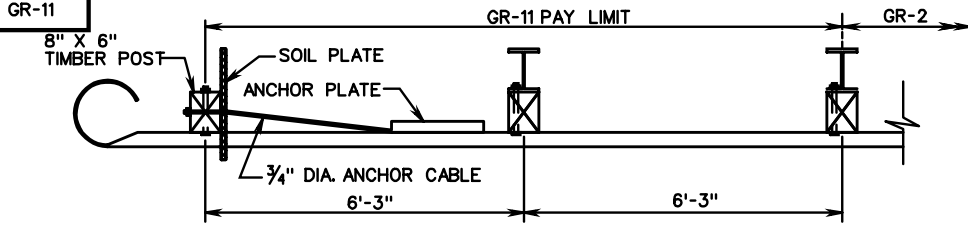
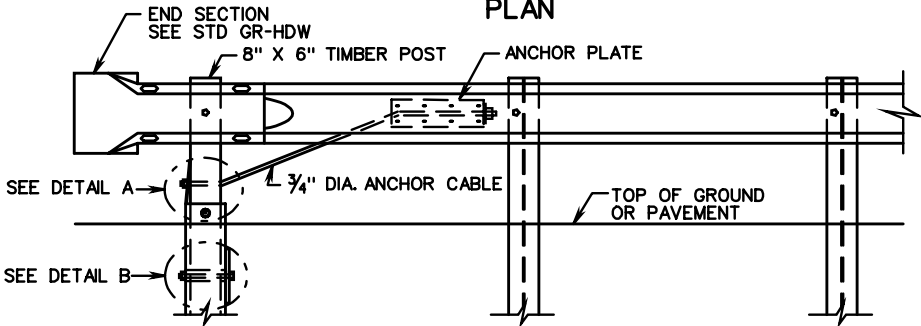


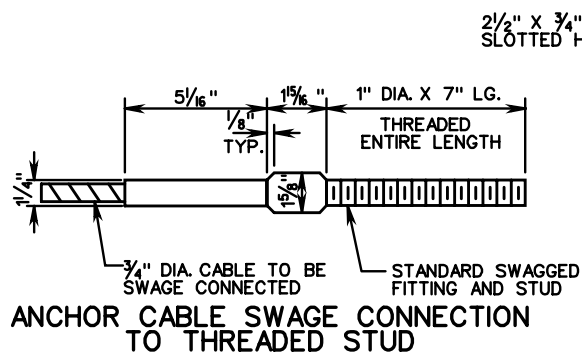
GR-11



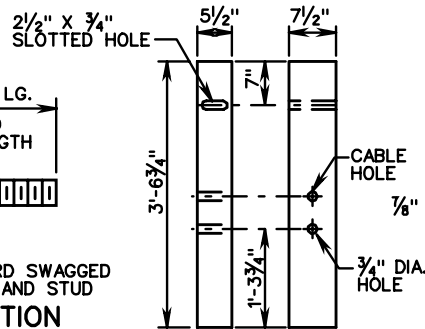
PLAN



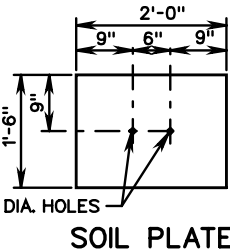
ELEVATION



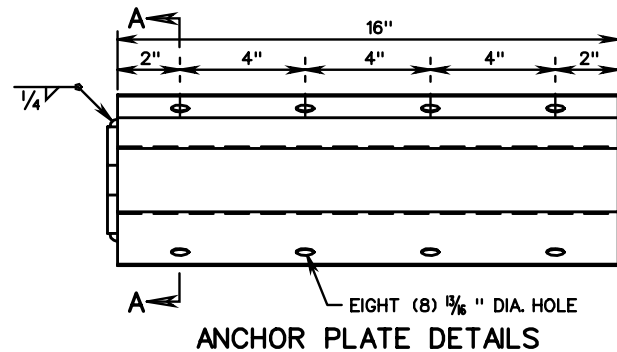
ANCHOR CABLE SWAGE CONNECTION TO THREADED STUD



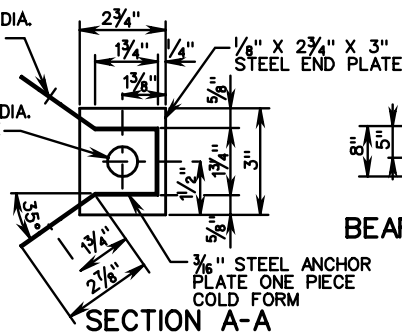
SHORT WOODEN POST



SOIL PLATE

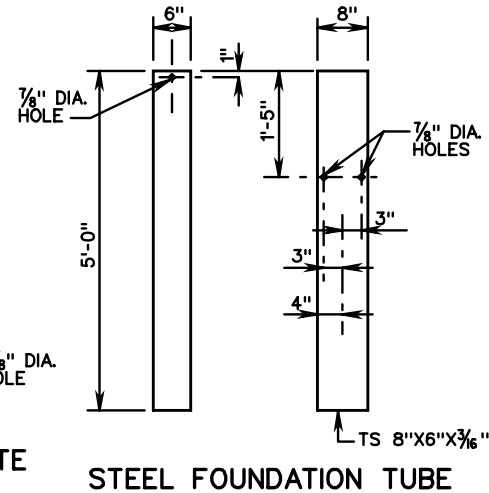


ANCHOR PLATE DETAILS

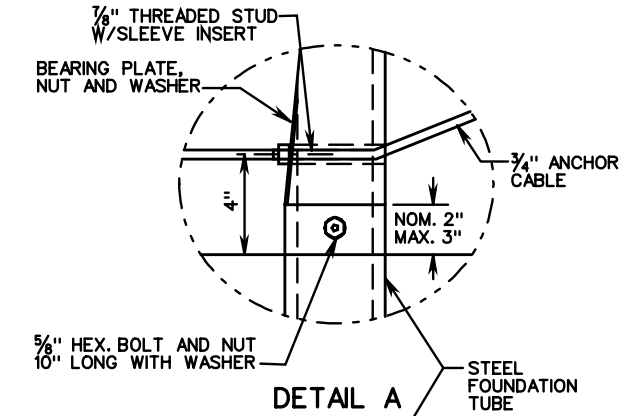


SECTION A-A

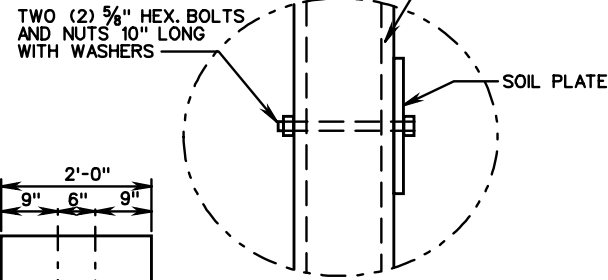
BEARING PLATE



STEEL FOUNDATION TUBE



DETAIL A



DETAIL B

NOTE:
USE OF THIS TERMINAL TREATMENT IS RESTRICTED TO RUN-OFF CONDITIONS ON DIVIDED HIGHWAYS.

TRAILING END TERMINAL TREATMENT

REV. 7/05

501.21

VIRGINIA DEPARTMENT OF TRANSPORTATION

SPECIFICATION REFERENCE

505

221