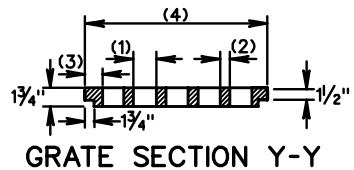
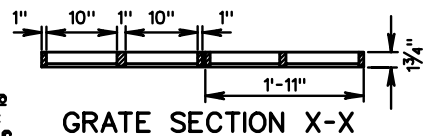
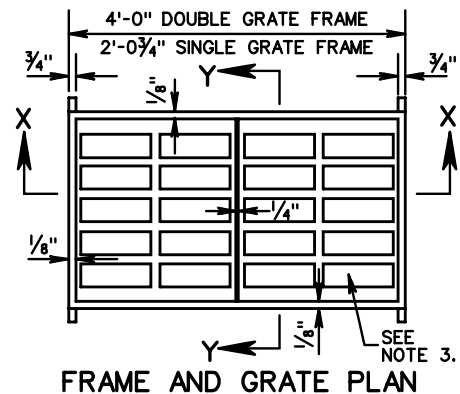
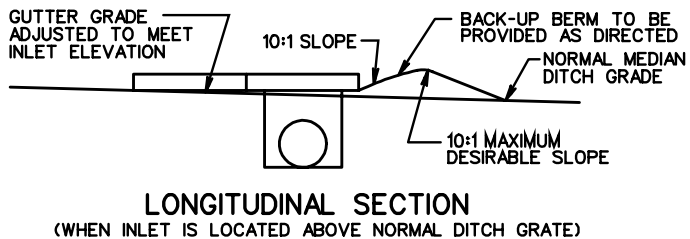
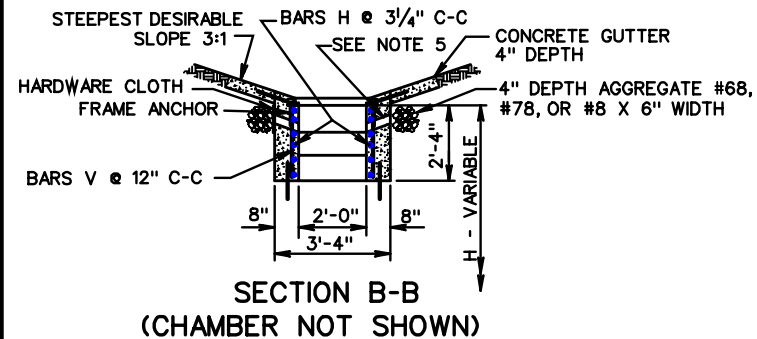
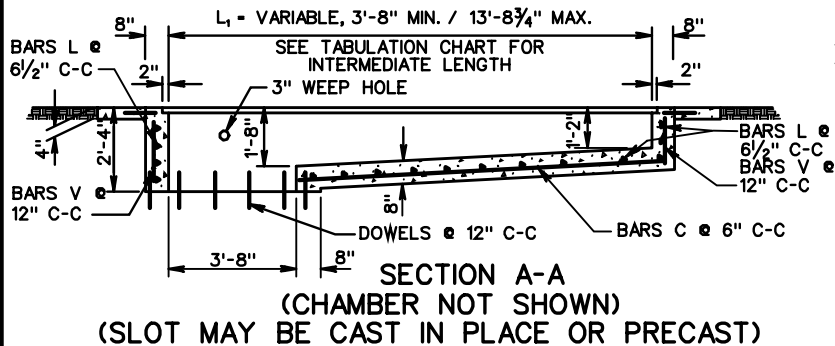
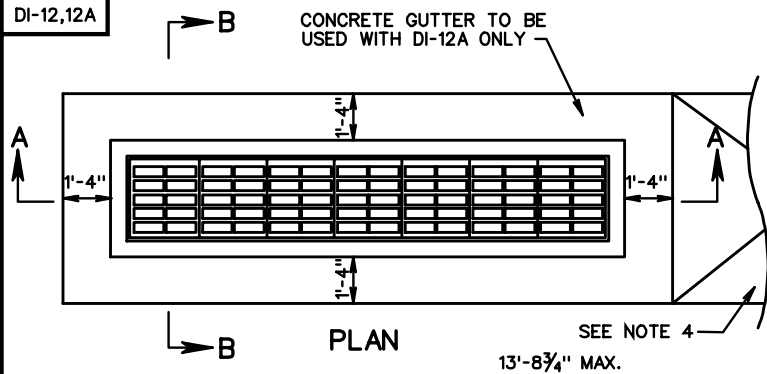
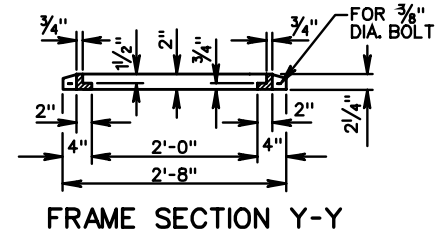
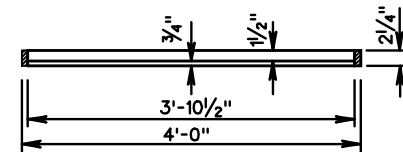
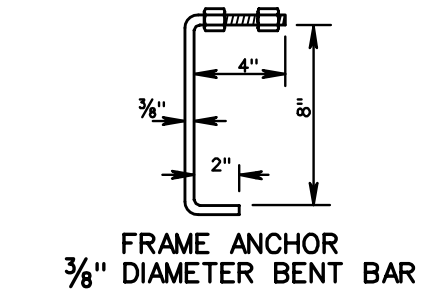


DI-12,12A



NOTE: SEE GRATE DIMENSION TABLE FOR GRATE TYPE I & II DIMENSIONS

- LEGEND
- (1) - OPENING WIDTH
 - (2) - BAR THICKNESS
 - (3) - END SECTION WIDTH
 - (4) - TOTAL WIDTH



GRATE DIMENSIONS				
GRATE TYPE	OPENING WIDTH	BAR THICKNESS	END SECTION WIDTH	TOTAL WIDTH
TYPE I	3 1/4"	1 3/8"	2 1/4"	26 1/4"
TYPE II	1 1/2"	1 3/8"	2 5/16"	26 1/4"

NOTES:

1. TYPE I GRATE: LIMITED ACCESS AND RURAL UNLIMITED ACCESS: PEDESTRIAN ACCESS UNLIKELY
2. TYPE II GRATE: URBAN AREAS: PEDESTRIAN ACCESSIBLE AREAS.
3. SEE GRATE SECTION Y-Y FOR SIZE AND NUMBER OF GRATE OPENING REQUIRED FOR TYPE I AND TYPE II GRATE.
4. PAVED TRANSITION WHERE REQUIRED ON PLANS IS TO BE SHAPED TO CONFORM TO ROUNDED CONCRETE GUTTER OF DI-12A.
5. 3" DIAMETER WEEP HOLE WITH 12" X 12" PLASTIC HARDWARE CLOTH 1/4" MESH OR GALVANIZED STEEL WIRE, MINIMUM WIRE DIAMETER 0.03", NUMBER 4 MESH HARDWARE CLOTH ANCHORED FIRMLY TO OUTSIDE OF STRUCTURE.
6. IF NORMAL DITCH GRADE IS TOO FLAT TO ALLOW FOR ADJUSTED GRADE TO INLET, A SPECIAL GUTTER DETAIL WILL BE REQUIRED ON PLANS.
7. GRATE BARS TO BE PARALLEL TO DITCH FLOW.

SHEET 2 OF 3

MULTIGRATE DROP INLET
FOR PIPE SIZES 12" TO 72"

VIRGINIA DEPARTMENT OF TRANSPORTATION

REV. 7/05

104.31

SPECIFICATION
REFERENCE

233
302