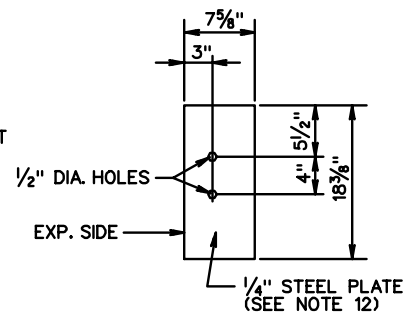
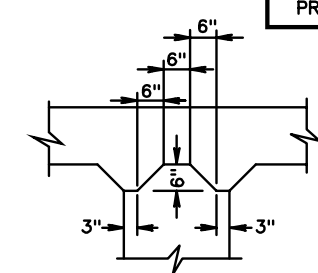


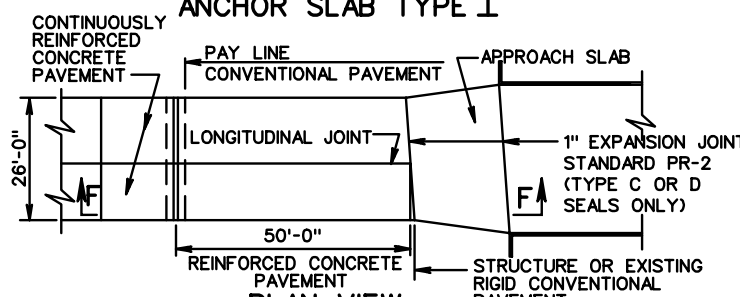
PLAN VIEW ANCHOR SLAB TYPE I



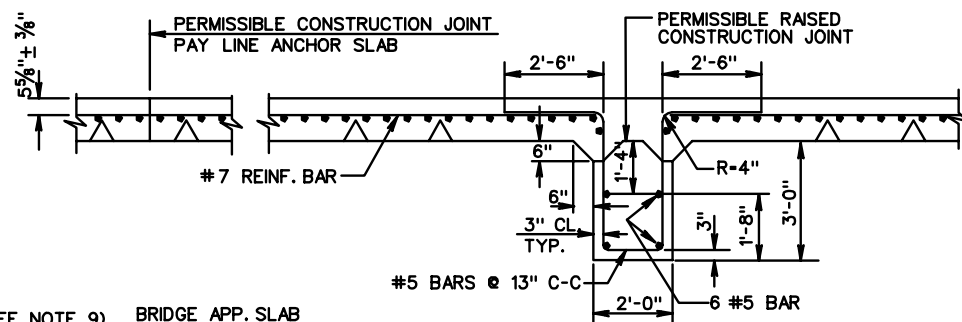
ANCHOR SLAB TYPE II END PLATE DETAIL



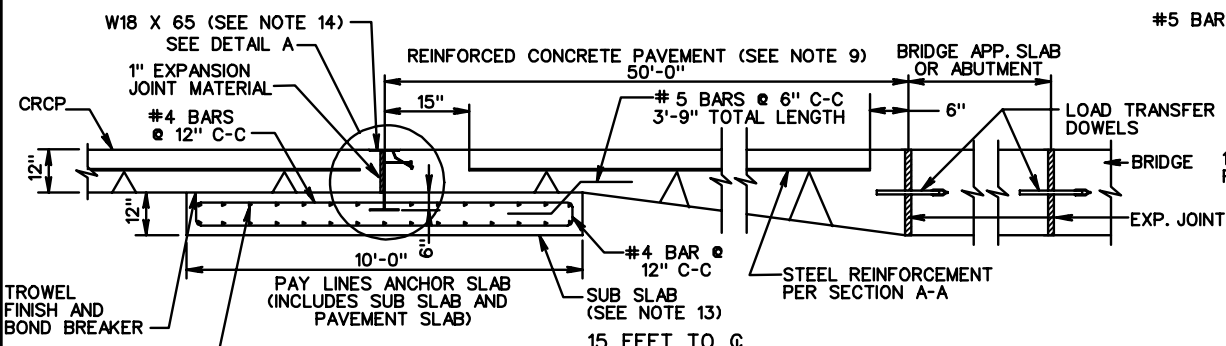
DETAIL A RAISED KEY CONSTRUCTION JOINT



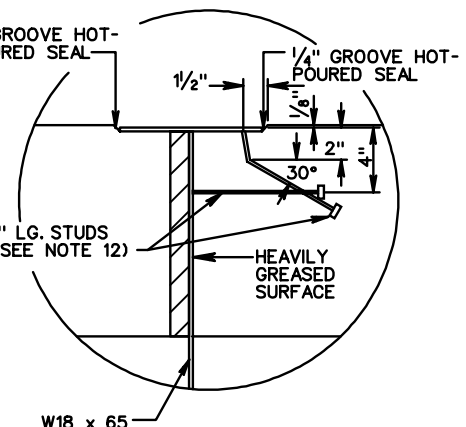
PLAN VIEW ANCHOR SLAB TYPE II



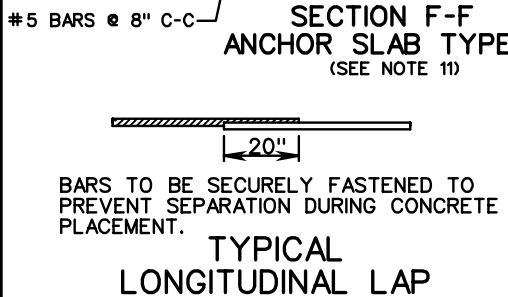
SECTION D-D



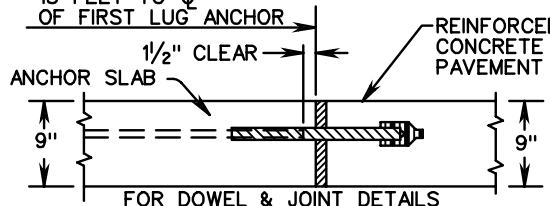
SECTION F-F ANCHOR SLAB TYPE II (SEE NOTE 11)



DETAIL A



TYPICAL LONGITUDINAL LAP



SECTION E-E ANCHOR SLAB TYPE I

FOR DWEL & JOINT DETAILS SEE DETAIL OF TRANSVERSE EXPANSION JOINT PR-2

SHEET 2 OF 3

SEE SHEET 3 OF 3 FOR NOTES

SPECIFICATION REFERENCE
316

12" THICK CONTINUOUSLY REINFORCED CONCRETE PAVEMENT 14' TRAVEL LANE

VIRGINIA DEPARTMENT OF TRANSPORTATION

REV. 7/03
301.23