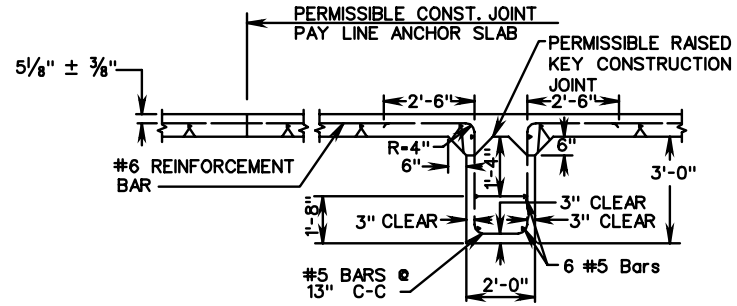
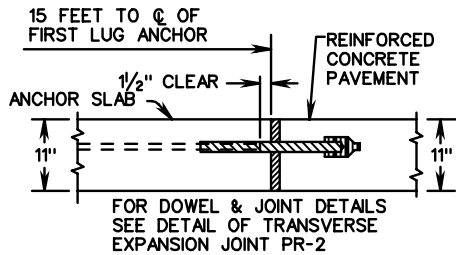


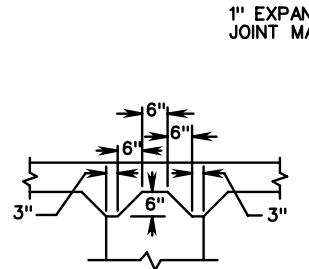
PLAN VIEW  
ANCHOR SLAB TYPE I



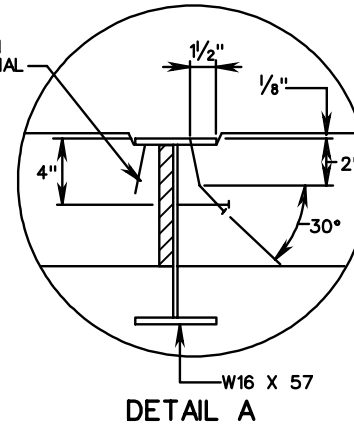
SECTION D-D



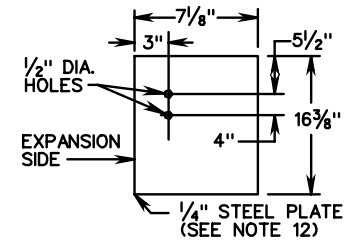
SECTION E-E  
ANCHOR SLAB TYPE I



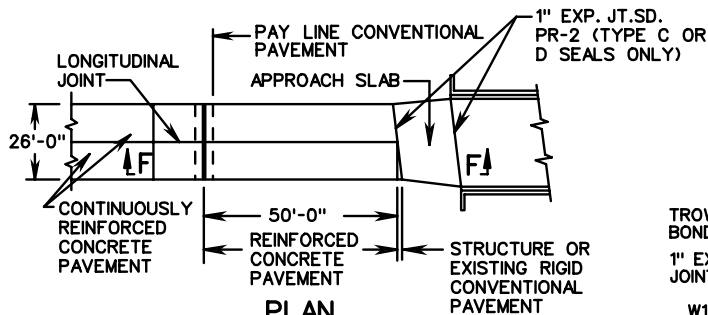
DETAIL-RAISED KEY  
CONSTRUCTION JOINT



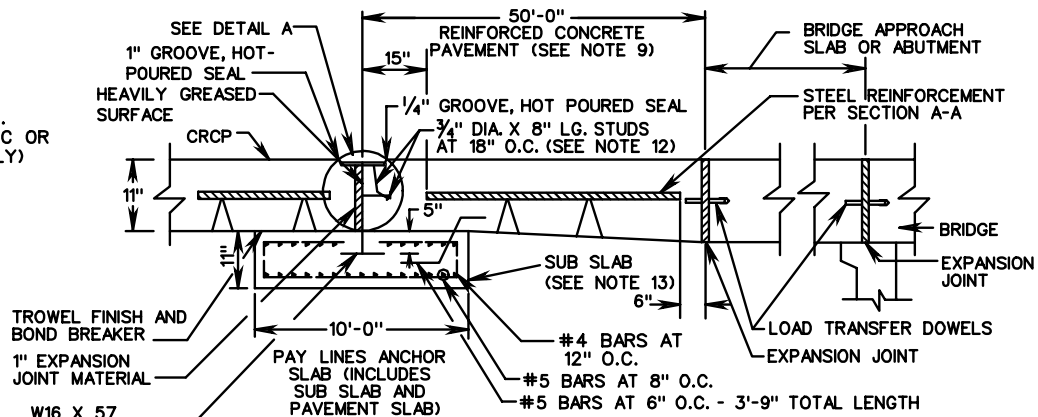
DETAIL A



ANCHOR SLAB TYPE II  
END PLATE DETAIL



PLAN VIEW  
ANCHOR SLAB TYPE II  
(SEE NOTE 11)



SECTION F-F  
ANCHOR SLAB TYPE II

11" THICK CONTINUOUSLY REINFORCED CONCRETE PAVEMENT  
14 FOOT TRAVEL LANE