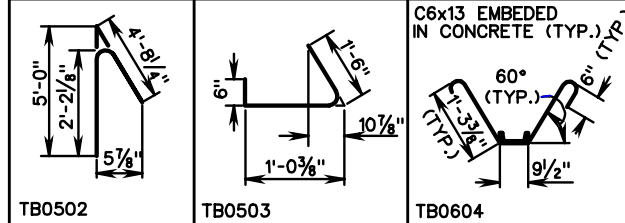


REINFORCING STEEL SCHEDULE

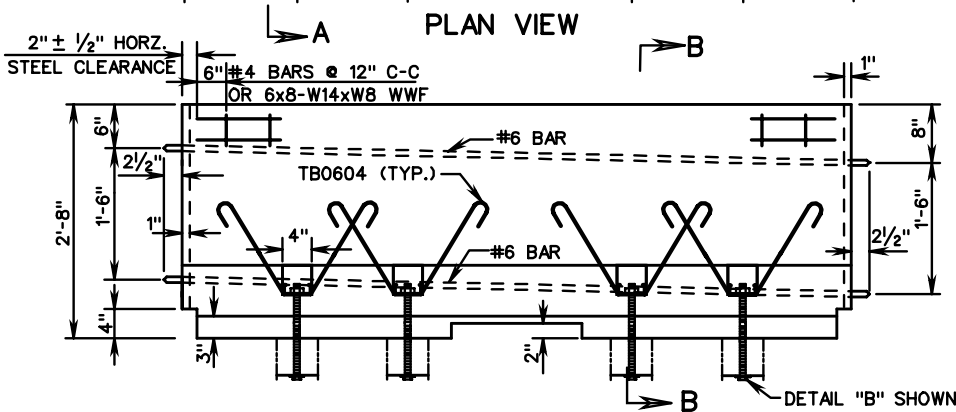
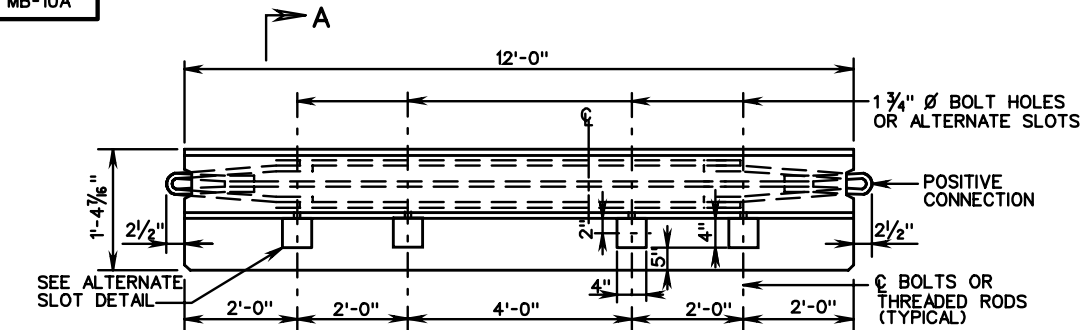
FOR ONE (1) SECTION

MARK	No.	SIZE	LENGTH	PIN Ø	LOCATION
TB0401	8	4	11'-5"	—	TEMP. PARAPET
TB0502	12	5	4'-3"	2 1/2"	"
TB0503	12	5	2'-8"	2 1/2"	"
TB0604	8	6	4'-8"	4 1/2"	"

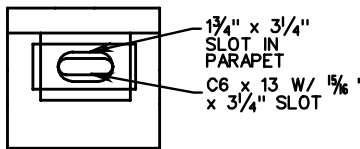
BENDING DIAGRAM



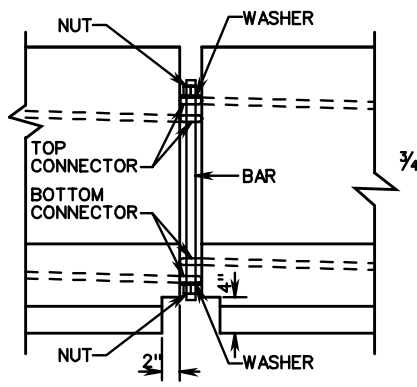
DIMENSIONS IN BENDING DIAGRAMS ARE OUT-TO-OUT OF BARS, EXCEPT AS SHOWN.
 POUNDS OF REINFORCING STEEL = 202
 REINFORCING SCHEDULE BASED ON 12'-0" UNIT LENGTH.



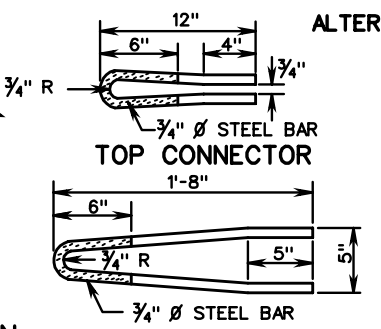
ELEVATION VIEW



ALTERNATE SLOT DETAIL



ELEVATION OF CONNECTION

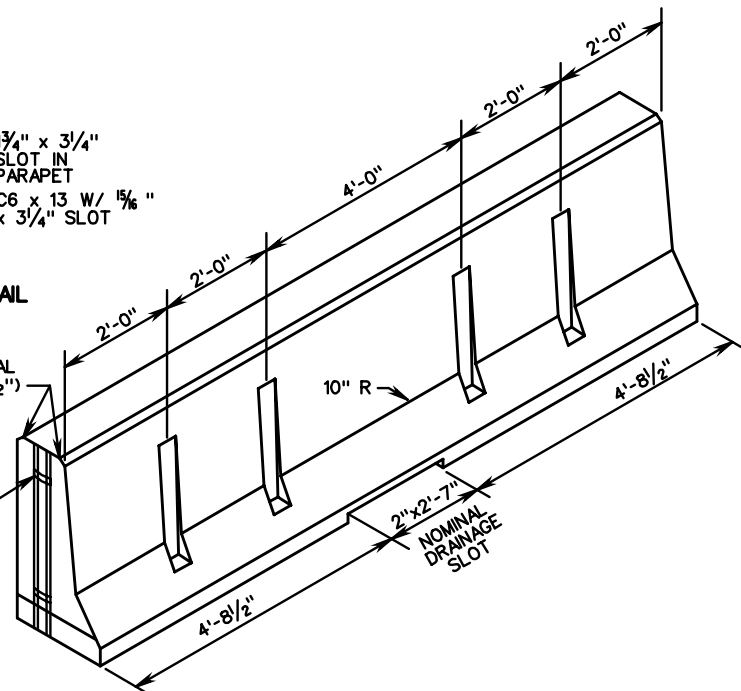


TOP CONNECTOR
BOTTOM CONNECTOR

GALVANIZE AFTER FORMING
 NOTE: ENTIRE CONNECTOR MAY BE GALVANIZED.

ALL ENDS OPTIONAL CHAMFER (1/2" x 1/2")

POSITIVE CONNECTION



**TRAFFIC BARRIER SERVICE CONCRETE PARAPET (SINGLE FACE)
 (FOR TEMPORARY INSTALLATION ON BRIDGE DECK EXTERIOR)**

SPECIFICATION REFERENCE

105
502