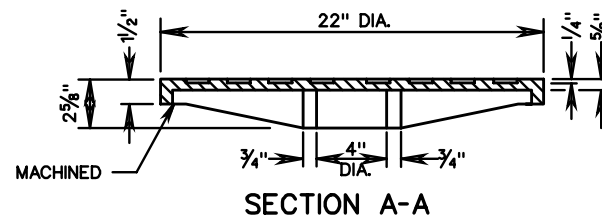
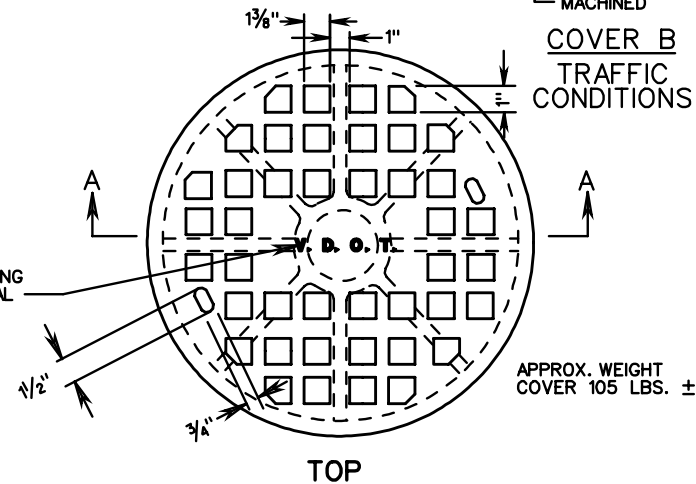
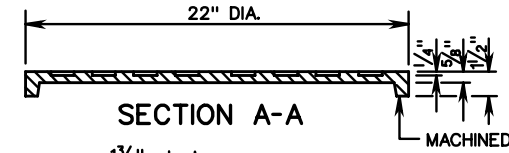
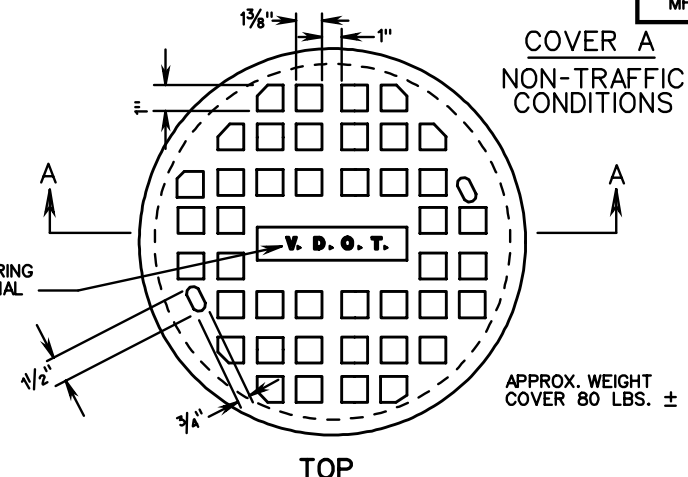


EITHER COVER A OR B MAY BE USED WITH FRAME.  
APPROX. WEIGHT  
COVER 170 LBS. ±



SPECIFICATION  
REFERENCE

224  
302

# STANDARD MANHOLE FRAME AND COVER

VIRGINIA DEPARTMENT OF TRANSPORTATION

REV. 7/02

106.04