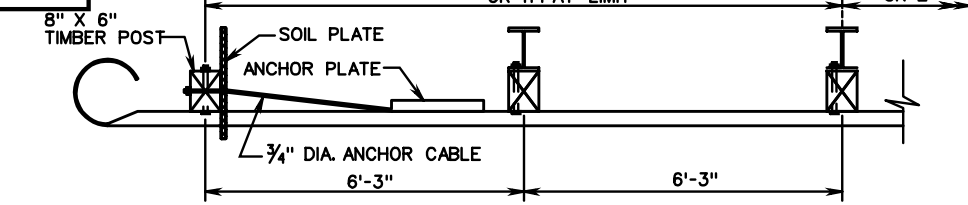
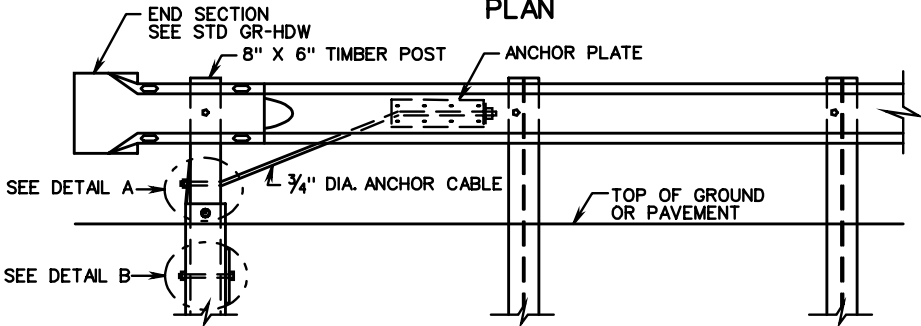


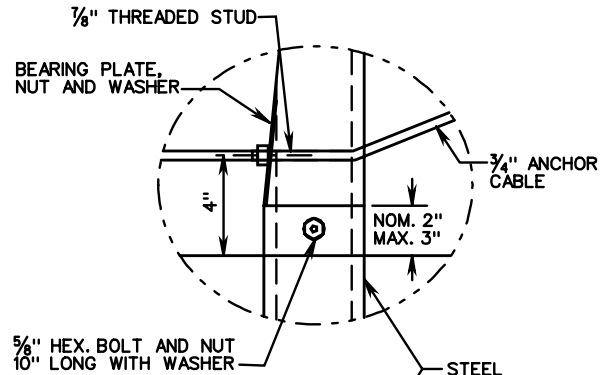
GR-11



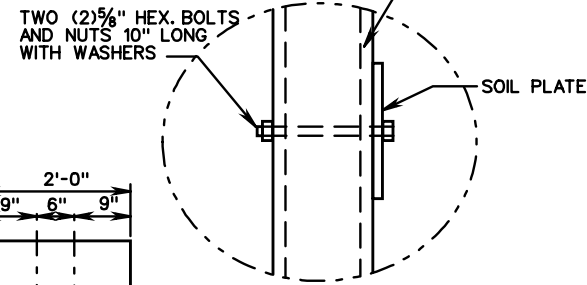
PLAN



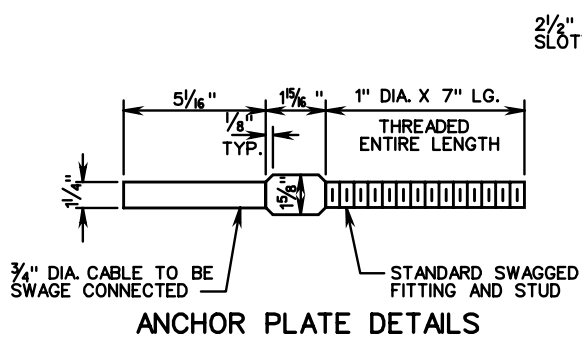
ELEVATION



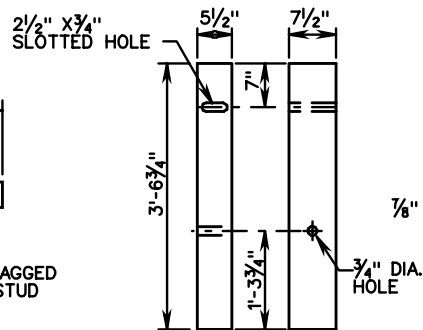
DETAIL A



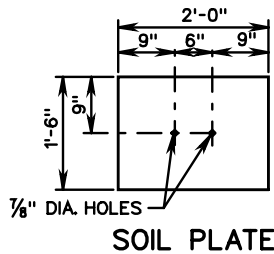
DETAIL B



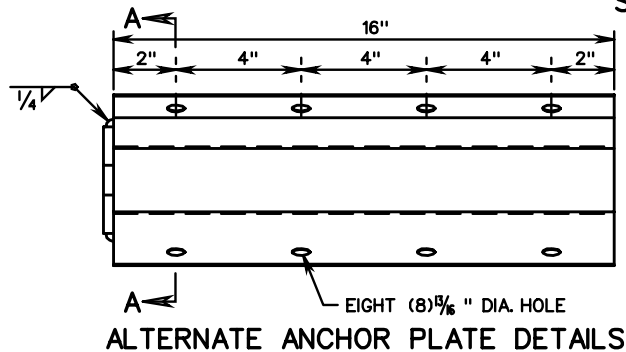
ANCHOR PLATE DETAILS



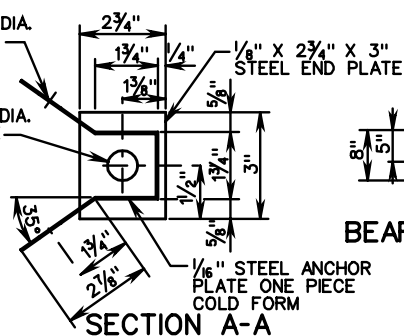
SHORT WOODEN POST



SOIL PLATE

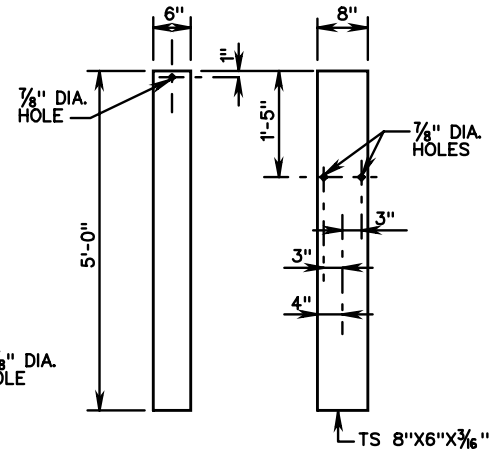


ALTERNATE ANCHOR PLATE DETAILS



SECTION A-A

BEARING PLATE



STEEL FOUNDATION TUBE

NOTE:
USE OF THIS TERMINAL TREATMENT IS RESTRICTED
TO RUN-OFF CONDITIONS ON DIVIDED HIGHWAYS.

TRAILING END TERMINAL TREATMENT

VIRGINIA DEPARTMENT OF TRANSPORTATION

REV. 3/03

501.21

SPECIFICATION
REFERENCE

505

221