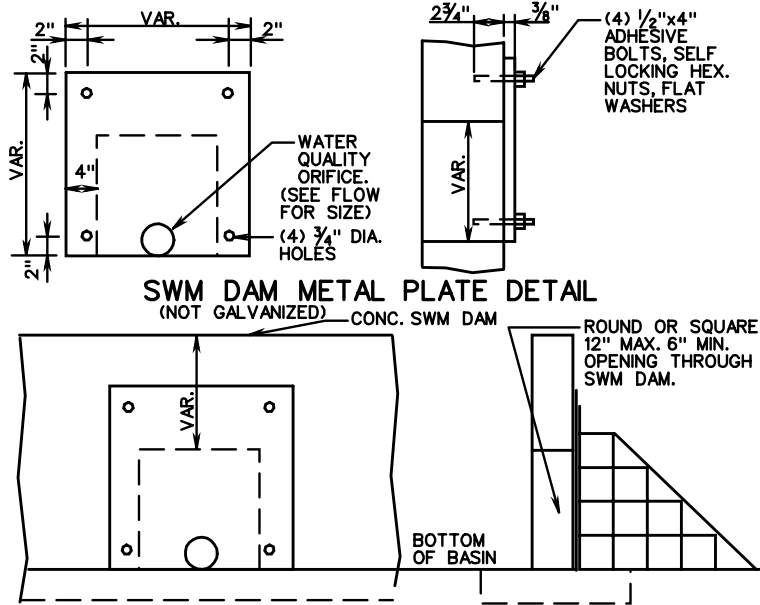


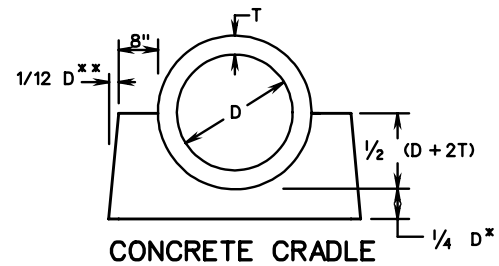
SWM-DR



DETAIL FOR METAL PLATE AND WATER QUALITY ORIFICE

TYPICAL SWM DAM

SIDE VIEW OF SWM DAM WITH DEBRIS



CONCRETE CRADLE

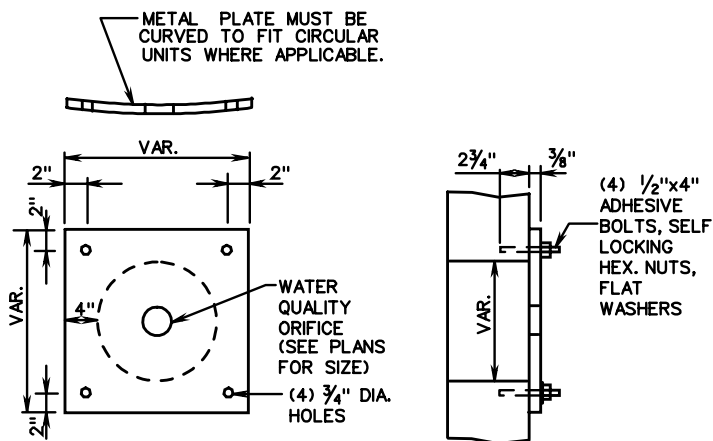
PIPE SIZE INCHES	CRADLE BOTTOM WIDTH (INCHES)	CRADLE HEIGHT (INCHES)	CRADLE TOP WIDTH (INCHES)	INCREMENT, IN CUBIC YARDS, PER LINEAR FOOT OF PIPE
12	34	14	32	0.093
15	38	15.75	35.5	0.110
18	42	17.5	39	0.129
24	50	21	46	0.168
30	58	26	53	0.233
36	66	31	60	0.307
42	74	36	67	0.390

CONCRETE SHALL BE CLASS A3
* BUT NOT LESS THAN 6"

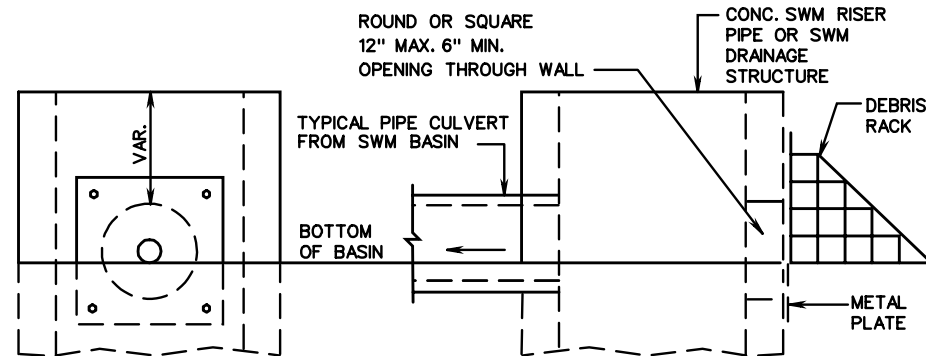
** IF THE PIPE IS LAID IN AN EXCAVATED TRENCH, THEN THE SIDE WALLS MAY CONFORM TO THE TRENCH SHAPE (IE THE TRENCH MAY BECOME THE CRADLE FORM).

CONCRETE CRADLE IS TO BE INSTALLED UNDER THE ENTIRE LENGTH OF CULVERT AT EACH STORMWATER MANAGEMENT BASIN.

CONCRETE CRADLE IS TO BE PAID FOR AS MISCELLANEOUS CONCRETE AND SUMMARIZED IN CUBIC YARDS FOR EACH PIPE LOCATION



METAL PLATE DETAIL (NOT GALVANIZED)



DETAIL FOR METAL PLATE AND WATER QUALITY ORIFICE

SIDE VIEW WITH DEBRIS RACK

TYPICAL SWM DRAINAGE STRUCTURE

SHEET 3 OF 5

STORMWATER MANAGEMENT (SWM) DETAILS

DEBRIS RACK, METAL PLATE, WATER QUALITY ORIFICE, CONCRETE CRADLE (FOR SWM DRAINAGE STRUCTURES, SWM RISER PIPES AND SWM DAMS)

VIRGINIA DEPARTMENT OF TRANSPORTATION

REV. 3/03

116.06

SPECIFICATION REFERENCE

302