

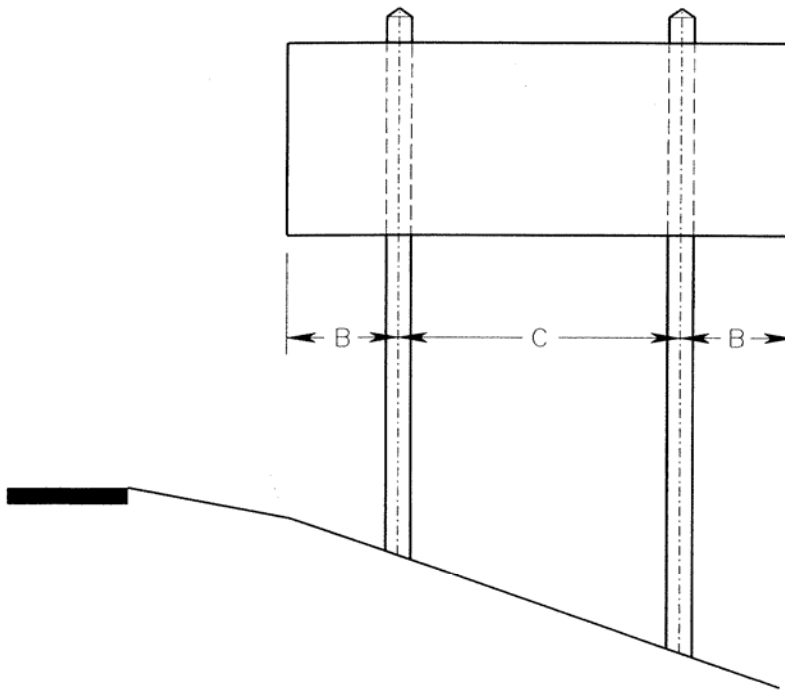
DOUBLE WOOD POST LENGTH WORKSHEET

DOUBLE POST:

$$\text{SLOPE} = 12'' + (B \div 2)$$

$$B = \text{WIDTH} \div 8$$

$$C = \text{WIDTH} - 2B$$



THIS SHEET IS FOR SLOPES ONLY

$$\text{POST \#2 LENGTH} = \text{POST \#1 LENGTH} + C \div 2$$

(FOR POST #1 LENGTH GO TO SINGLE WOOD POST LENGTH WORKSHEET)