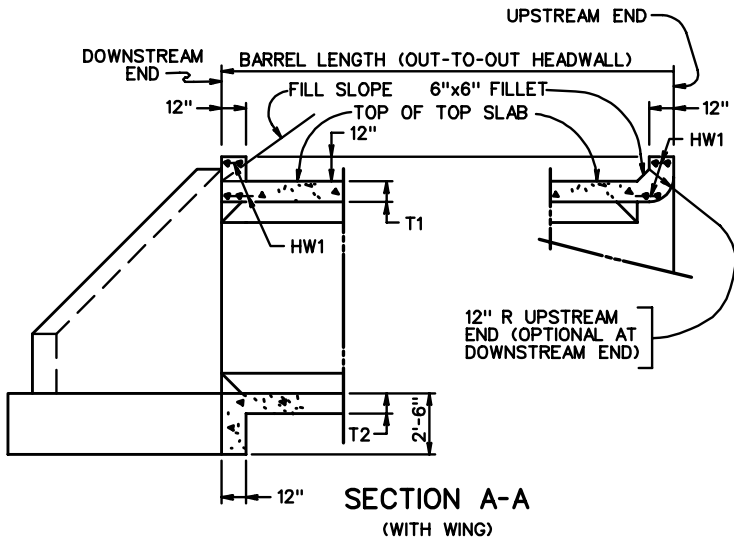
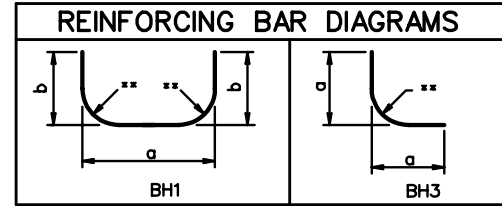
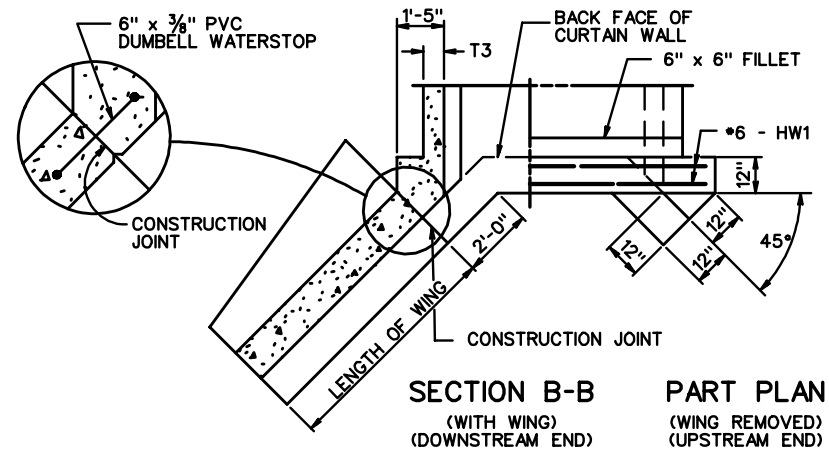


END ELEVATION



SECTION A-A
(WITH WING)



SECTION B-B
(WITH WING)
(DOWNSTREAM END)

PART PLAN
(WING REMOVED)
(UPSTREAM END)

SPECIFICATION REFERENCE

SINGLE BOX CULVERTS
STANDARD DETAILS
 VIRGINIA DEPARTMENT OF TRANSPORTATION

VDOT	
ROAD AND BRIDGE STANDARDS	
REVISION DATE	SHEET 2 OF 2
1002.02	