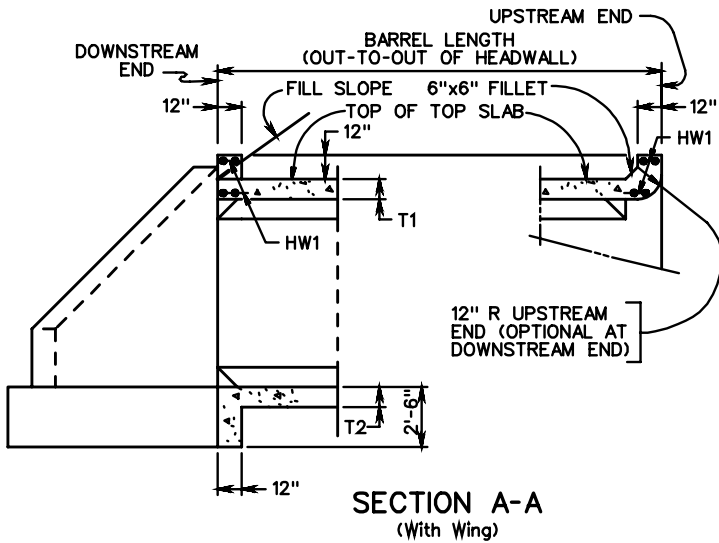
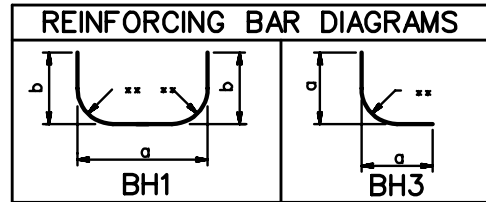
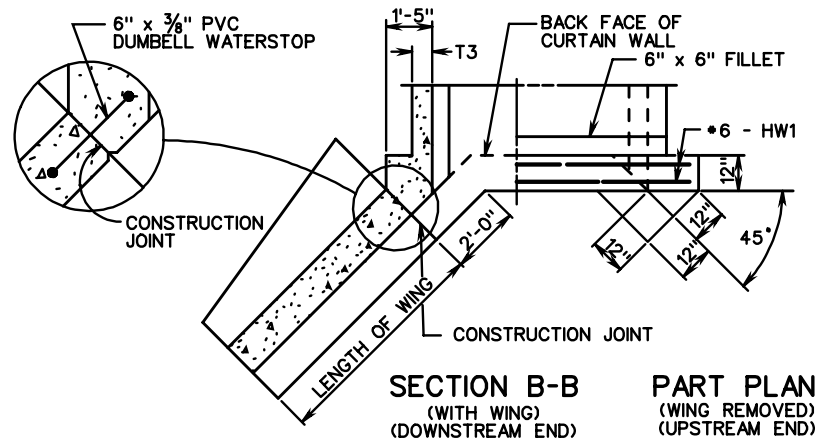


END ELEVATION



SECTION A-A
(With Wing)



SECTION B-B
(WITH WING)
(DOWNSTREAM END)

PART PLAN
(WING REMOVED)
(UPSTREAM END)



ROAD AND BRIDGE STANDARDS

SHEET 2 OF 2

REVISION DATE

1001.02

OVERSIZED BOX CULVERT STANDARD DETAILS

VIRGINIA DEPARTMENT OF TRANSPORTATION

SPECIFICATION
REFERENCE