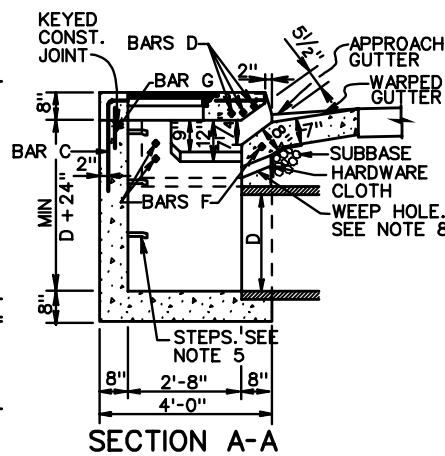
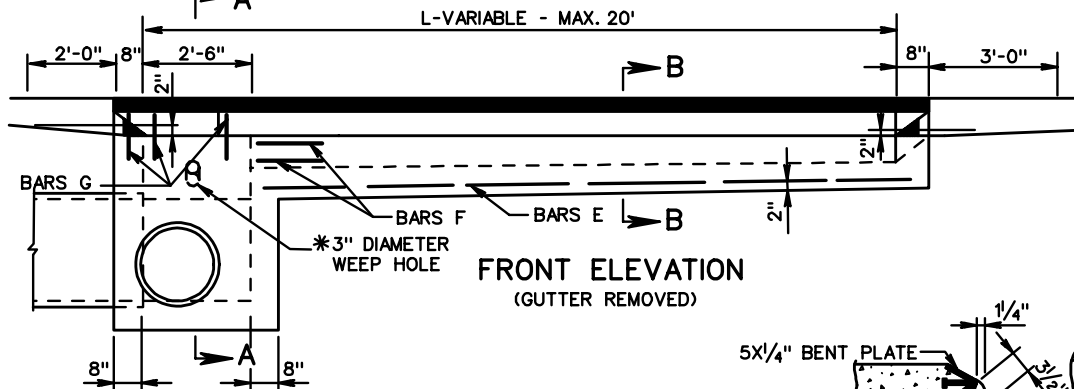


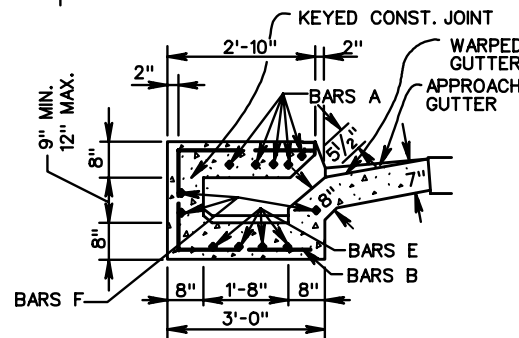
PLAN



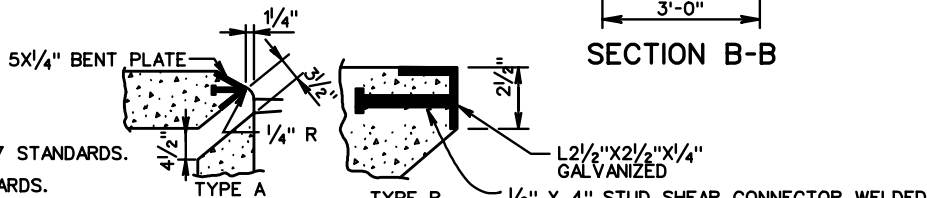
SECTION A-A



FRONT ELEVATION
(GUTTER REMOVED)

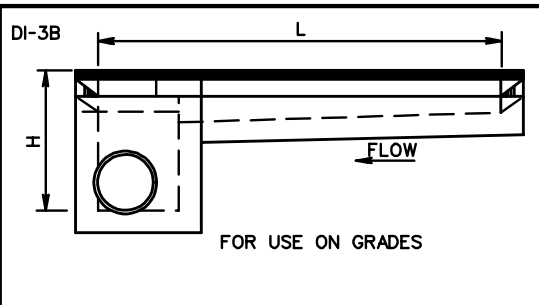
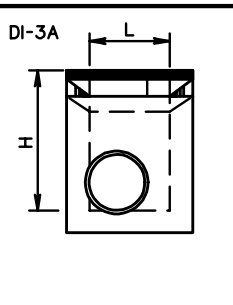


SECTION B-B

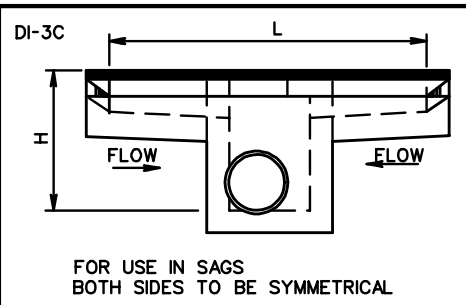


NOSE DETAILS

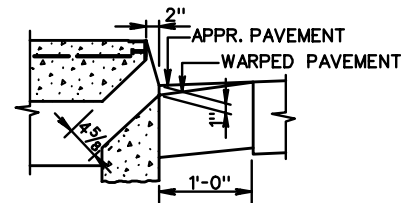
TYPE A NOSE DETAIL SHALL BE USED WITH CG-3 & CG-7 STANDARDS.
 TYPE B NOSE DETAIL SHALL BE USED WITH CG-2 STANDARDS.
 GALVANIZED PLATE FOR TYPE A TO BE BENT ON AN ANGLE OF 68° 30'
 CONNECTORS AND IS TO BE ANCHORED WITH 1/2" X 4" STUD SHEAR
 WELDED TO BENT PLATE AT 2' C-C.



FOR USE ON GRADES



FOR USE IN SAGS
BOTH SIDES TO BE SYMMETRICAL



DETAIL WHEN USED
ADJACENT TO CURB
WITHOUT GUTTER



ROAD AND BRIDGE STANDARDS

SHEET 1 OF 2

REVISION DATE

104.09

STANDARD CURB DROP INLET

12" - 30" PIPE: MAXIMUM DEPTH (H) = 8'

VIRGINIA DEPARTMENT OF TRANSPORTATION

SPECIFICATION
REFERENCE

233
302