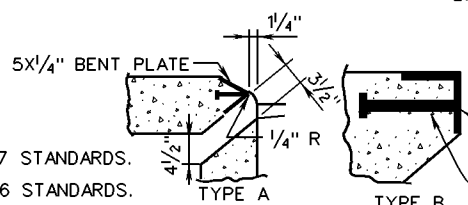
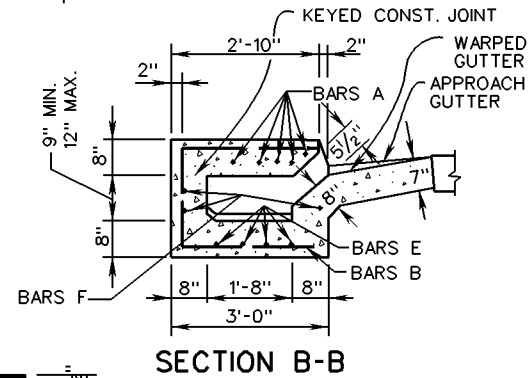
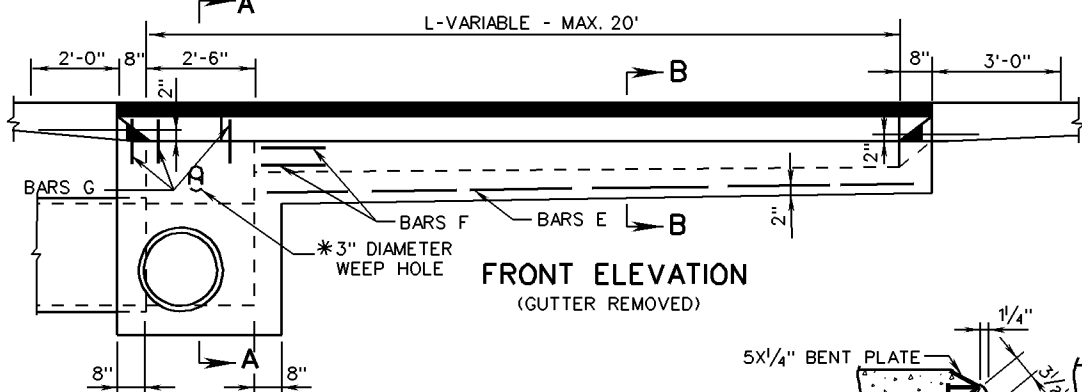
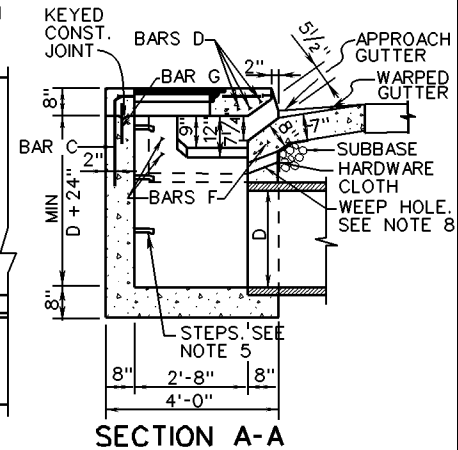
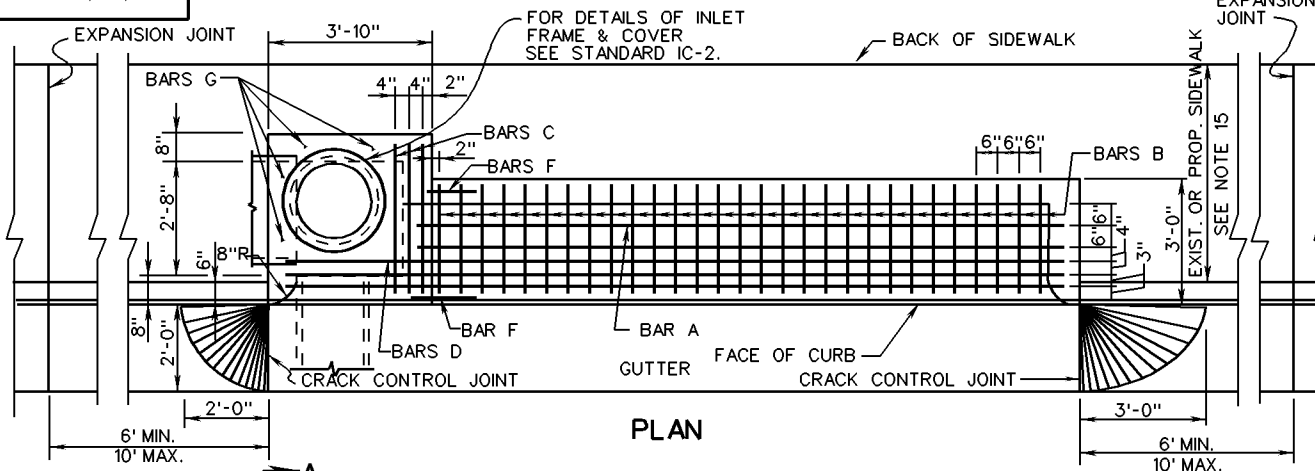
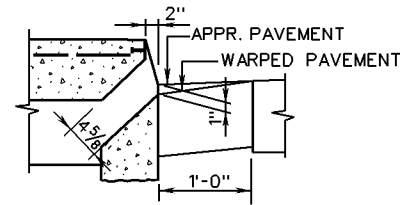
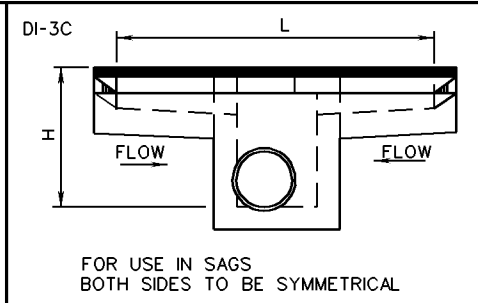
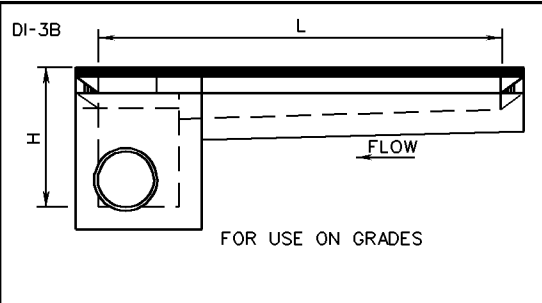
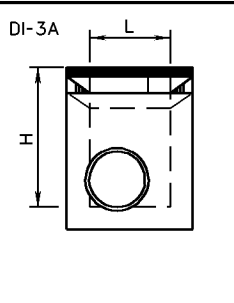


DI-3A, 3B, 3C



TYPE A NOSE DETAIL SHALL BE USED WITH CG-3 & CG-7 STANDARDS.  
 TYPE B NOSE DETAIL SHALL BE USED WITH CG-2 & CG-6 STANDARDS.  
 GALVANIZED PLATE FOR TYPE A TO BE BENT ON AN ANGLE OF 68° 30' CONNECTORS AND IS TO BE ANCHORED WITH 1/2" X 4" STUD SHEAR WELDED TO BENT PLATE AT 2' C-C.

1/2" X 4" STUD SHEAR CONNECTOR WELDED TO ANGLE IRON AT 2' C-C.



DETAIL WHEN USED ADJACENT TO CURB WITHOUT GUTTER

<b>VDOT</b>	
ROAD AND BRIDGE STANDARDS	
SHEET 1 OF 2	REVISION DATE
104.09	08/10

## STANDARD CURB DROP INLET

12" - 30" PIPE: MAXIMUM DEPTH (H) - 8'

VIRGINIA DEPARTMENT OF TRANSPORTATION

SPECIFICATION REFERENCE
233 302