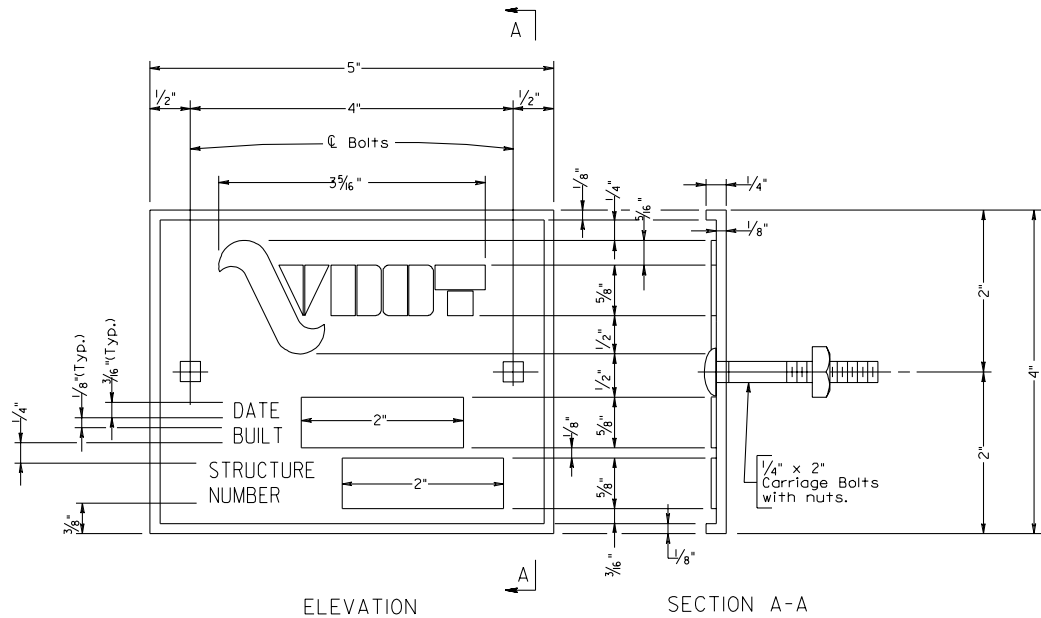


BRIDGE CONSTRUCTION AND WIDENING DATE PLATES
PLACEMENT DETAILS

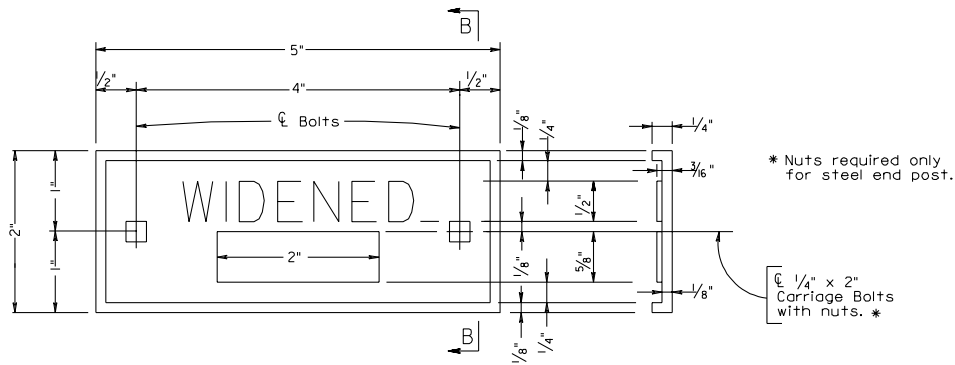
STRUCTURE
AND
BRIDGE
DIVISION



ELEVATION

SECTION A-A

PLATE A
Scale: 1/2" = 1'-0"



ELEVATION

SECTION B-B

PLATE B
Scale: 1/2" = 1'-0"

NOTE:
Date Plates A & B shall be bronze.
All raised surfaces shall have a
bright finish.
Date Built and Structure Number
to be stamped on plates with a 1/2"
steel numbering stamp by state personnel.
Carriage bolts and nuts may be bronze
or stainless steel.

* Nuts required only
for steel end post.

1/4" x 2"
Carriage Bolts
with nuts. *