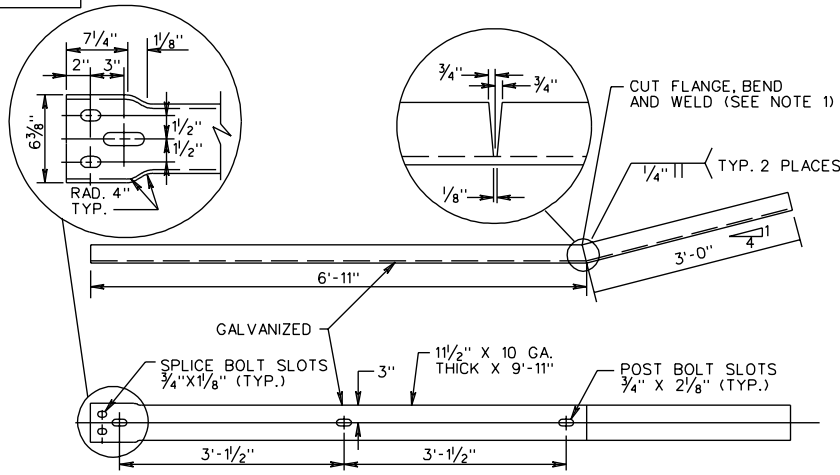
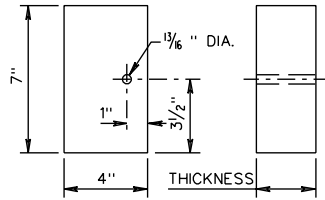


GR-FOA-1



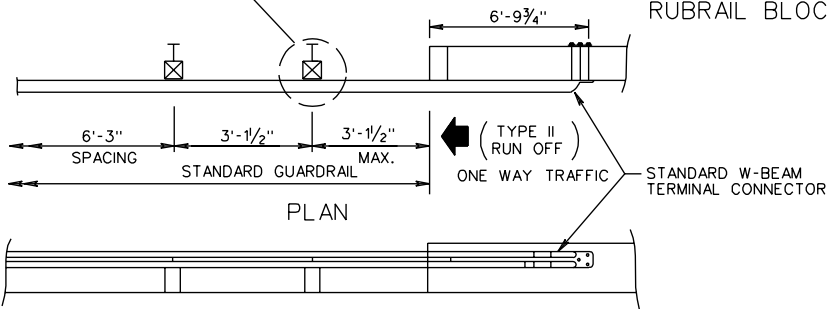
NOTE:
CAN BE FIELD CUT AND BENT USING HEAT.
IF SHOP CUT AND BENT, RIGHT HAND OR LEFT
HAND MUST BE SPECIFIED DEPENDING ON
WHICH SIDE OF THE ROADWAY THE TRANSITION
IS USED.

ITEM (7) DETAIL

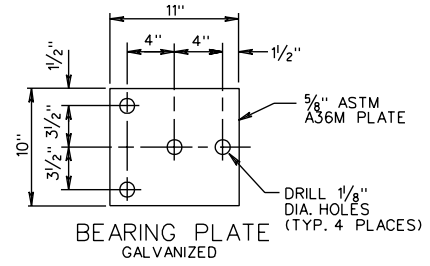


RUBRAIL BLOCKOUT DETAIL

INDICATES EXTRA POST REQ'D. FOR
RUN-OFF FIXED OBJECT ATTACHMENT
STD. GR-FOA-1 TYPE II



ELEVATION



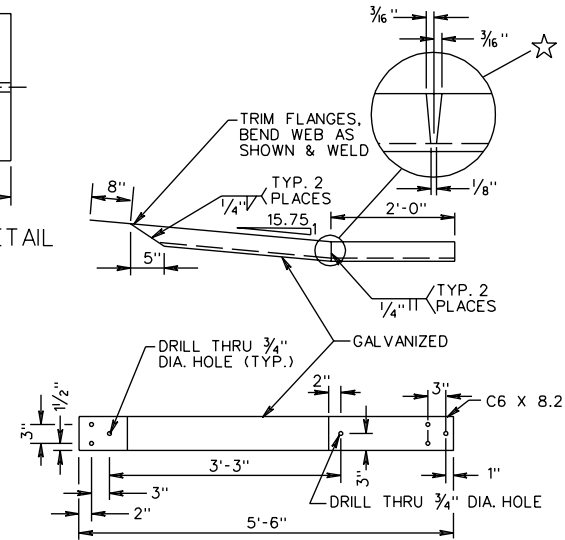
☆ CAN BE FIELD CUT AND BENT USING HEAT.

WOOD POSTS
RUBRAIL BLOCKOUTS
7" X 4" X THICKNESS

POST	THICKNESS
1	6 5/8"
2	5 1/16"
3	3 3/16"
4	2"

STEEL POSTS
RUBRAIL BLOCKOUTS
7" X 4" X THICKNESS

POST	THICKNESS
1	5"
2	3 13/16"
3	2 5/8"
4	1 7/16"



ITEM (8) DETAIL

SHEET 3 OF 3

W BEAM GUARDRAIL - FIXED OBJECT ATTACHMENT
RUBRAIL AND HARDWARE DETAILS

SPECIFICATION
REFERENCE

505

REV. 7/01
501.27