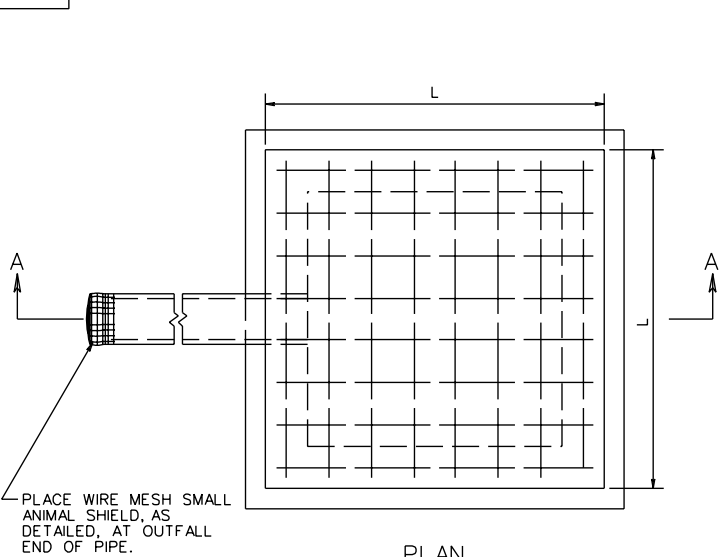
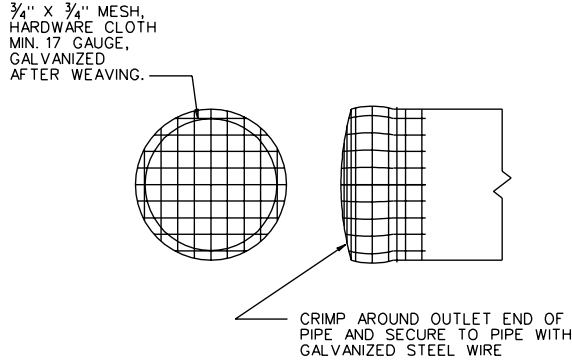


INSERTABLE SHEET A143

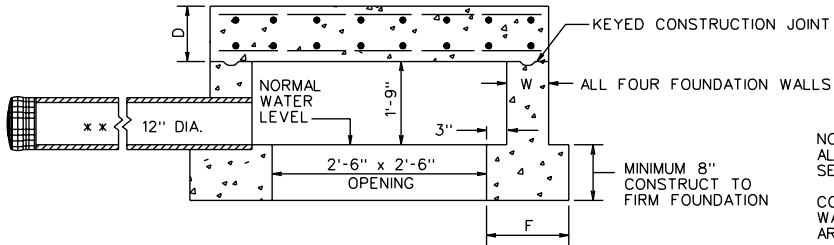
SB-1



PLAN



ANIMAL SHIELD DETAIL



SECTION A-A

NOTES:
ALL CONCRETE TO BE CLASS A3 IF CAST IN PLACE. FOR PRECAST SEE SHEET 110.02.

CONCRETE QUANTITIES SHOWN ARE BASED ON A 12\"/>

COST OF WIRE MESH SHIELD AT OUTFALL END OF PIPE IS TO BE INCLUDED IN PRICE BID FOR PIPE.

THIS ITEM MAY BE PRECAST OR CAST IN PLACE.

** STANDARD RECOMMENDED PIPE IS 12\"/>

HEIGHT OF FILL	SIZE (L)	TOP SLAB (D)	SIDEWALLS (W)	FOOTING WIDTH (F)	REINFORCING STEEL				QUANTITIES		
					NO. REQ'D.	LENGTH	SIZE	SPACING C-C	CU. YDS. CONC.	REINF. STEEL LBS.	INCREMENT * CU. YDS.
BELOW 25'	4'	8"	6"	12"	32	3'-9"	#4	6"	1,189	80	0.043
25' - 50'	4'-4"	8"	8"	14"	32	4'-1"	#5	6"	1,512	136	0.053

* QUANTITIES SHOWN ARE BASED ON A 8\"/>

STANDARD SPRING BOX

VIRGINIA DEPARTMENT OF TRANSPORTATION

REV. 7/01
110.01

SPECIFICATION REFERENCE
105
232
302