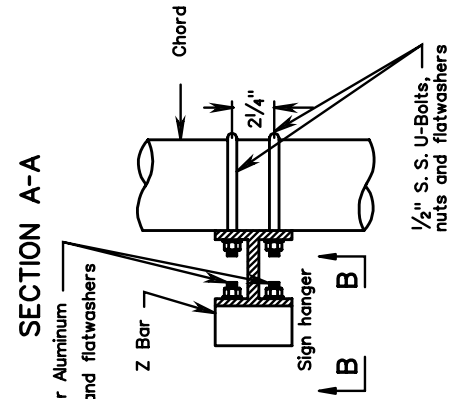
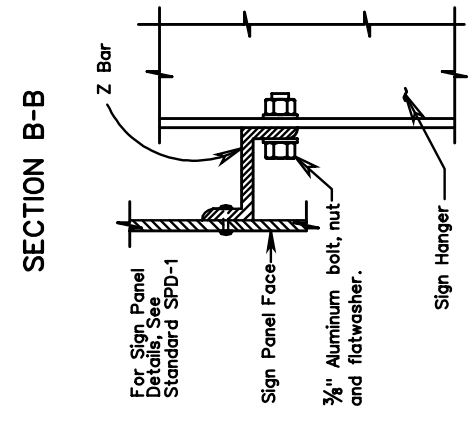
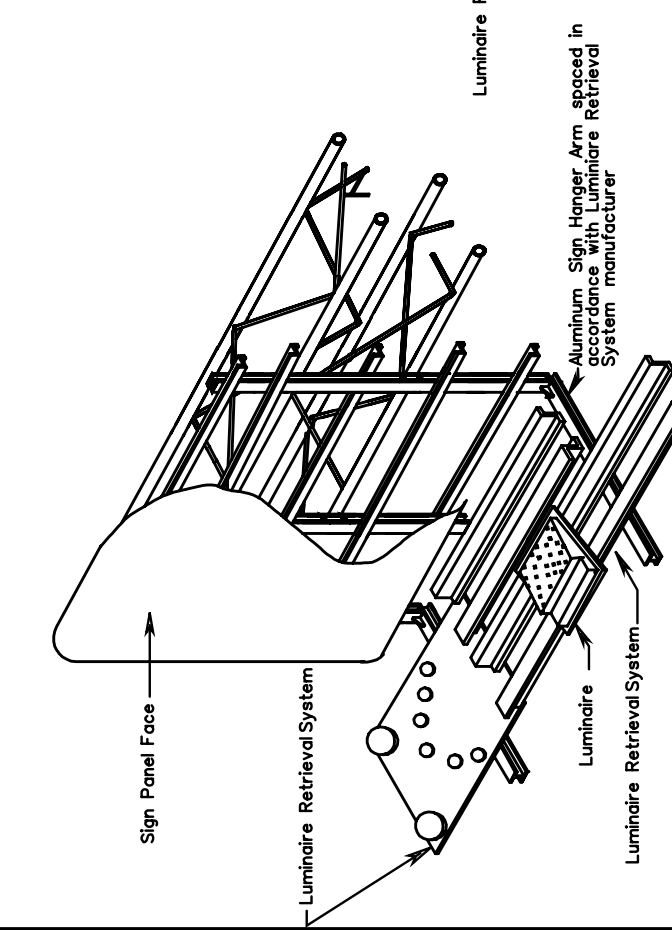
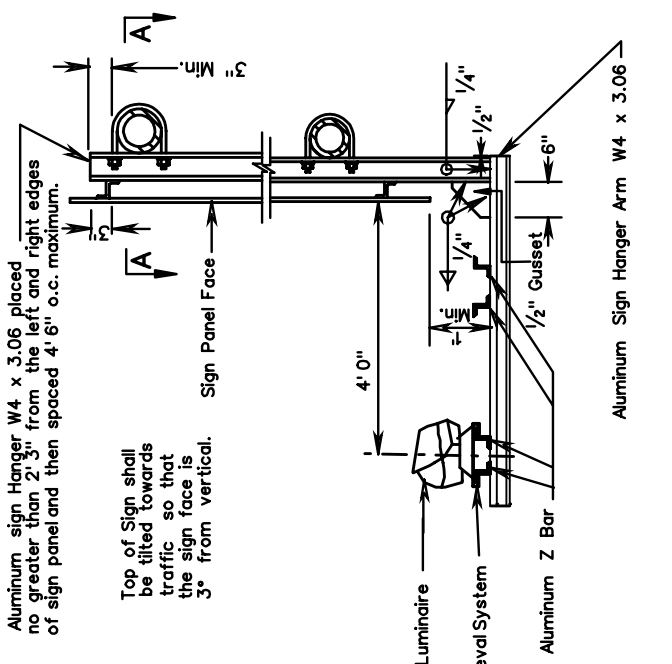


SURVEYED BY _____
 SUPERVISED BY AAA
 DESIGNED BY BBB

DESIGN FEATURES RELATING TO CONSTRUCTION OR TO REGULATION AND CONTROL OF TRAFFIC MAY BE SUBJECT TO CHANGE AS DEEMED NECESSARY BY THE DEPARTMENT

REVISED	FEDERAL AID		STATE		SHEET NO.
	STATE	PROJECT	ROUTE	PROJECT	
	VA.				

SIGN HANGER ERECTION DETAIL WITH LUMINAIRE RETRIEVAL SYSTEM



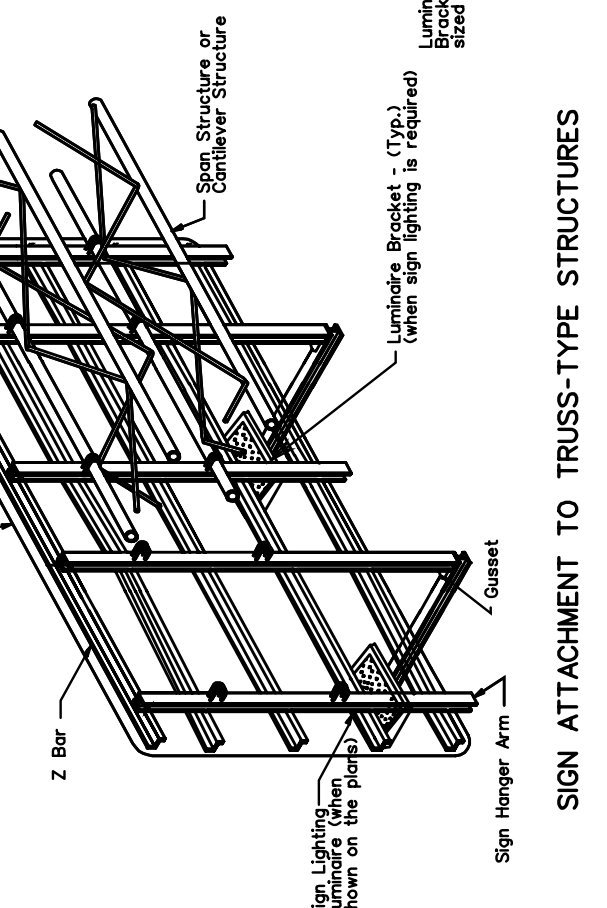
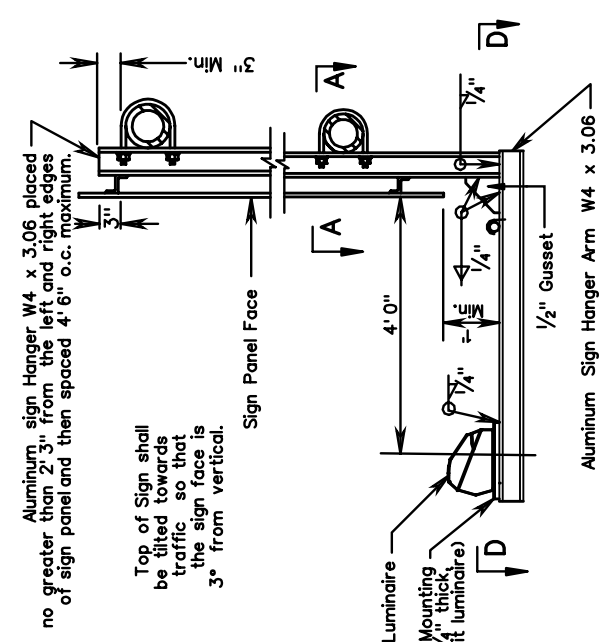
Note:
 Luminaire Retrieval System including electrical system shall be equal to "LUMI-TRAK" and designed for the number of luminaires indicated on the plans. Spacing of hangers used to support the retrieval system shall be in accordance with manufacturer's recommendations. The vertical edge of the outside of the shoulder shall be extended 5 feet beyond the vertical edge (56") of the outermost sign luminaire whichever is greater. The opposite end of the retrieval system shall extend a minimum of 6 inches past the outermost vertical edge of the sign hanger arm.
 Luminaires and Luminaire Retrieval System required only where indicated on the plans.
 Signs fabricated using the SPD-1 Alternate Sign Panel Design shall be attached to the sign hanger in accordance with the method shown for Alternate Details For Type VI A Interstate Sign Structures except post clamps will not be allowed for attachment of the top and bottom stiffeners. Post clamp bolts shall be inserted through holes drilled into the sign hangers and secured using a stainless steel flatwasher and nut for these stiffeners.

TYPICAL DETAILS FOR OVERHEAD SIGN STRUCTURES
 VIRGINIA DEPARTMENT OF TRANSPORTATION

REV. 1/04
 REV. 5/04
 1301.74

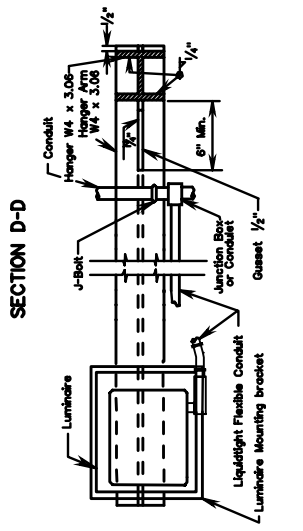
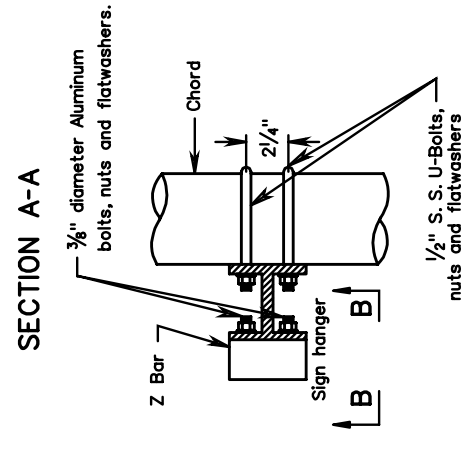
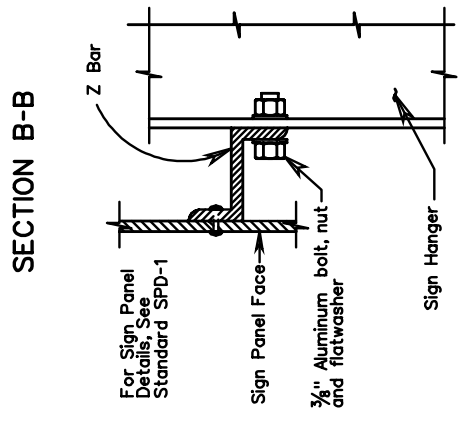
OSS-1

SIGN HANGER ERECTION DETAIL WITH LUMINAIRE RETRIEVAL SYSTEM IS REQUIRED)



SIGN ATTACHMENT TO TRUSS-TYPE STRUCTURES

Note
 Luminaires required only where indicated on the plans.
 Luminaire to be attached to mounting bracket with 4, 3/8" Dia. galvanized cap screws, lockwashers and nuts.
 Signs fabricated using the SPD-1 Alternate Sign Panel Design shall be attached to the sign hanger in accordance with the method shown for Alternate Details For Type VI A Interstate Sign Structures except post clamps will not be allowed for attachment of the top and bottom stiffeners. Post clamp bolts shall be inserted through holes drilled into the sign hangers and secured using a stainless steel flatwasher and nut for these stiffeners.



TYPICAL DETAILS FOR OVERHEAD SIGN STRUCTURES
 VIRGINIA DEPARTMENT OF TRANSPORTATION

REV. 5/04
 REV. 1/04
 1301.75

SPECIAL DESIGN SECTION
 DRAWING NO. A - 155

NEW 5/04

PLAN NO.	PROJECT	FILE NO.	SHEET NO.