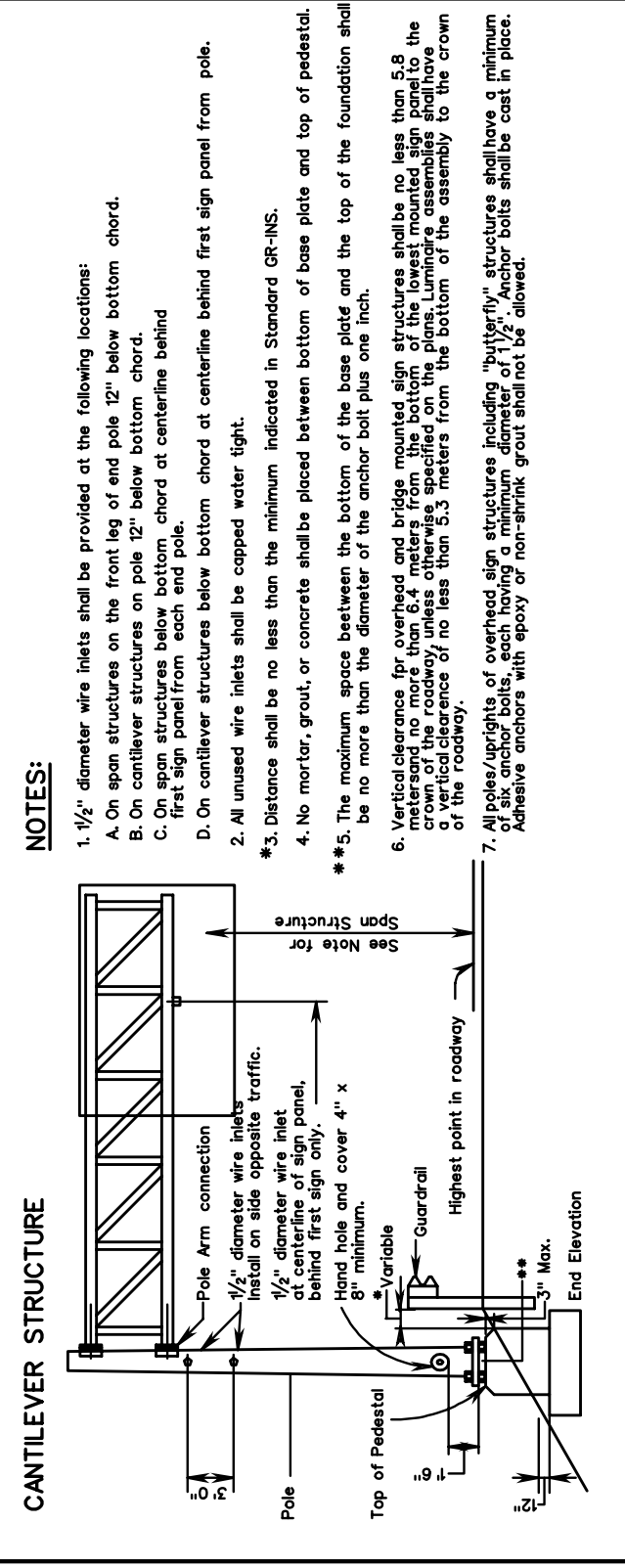
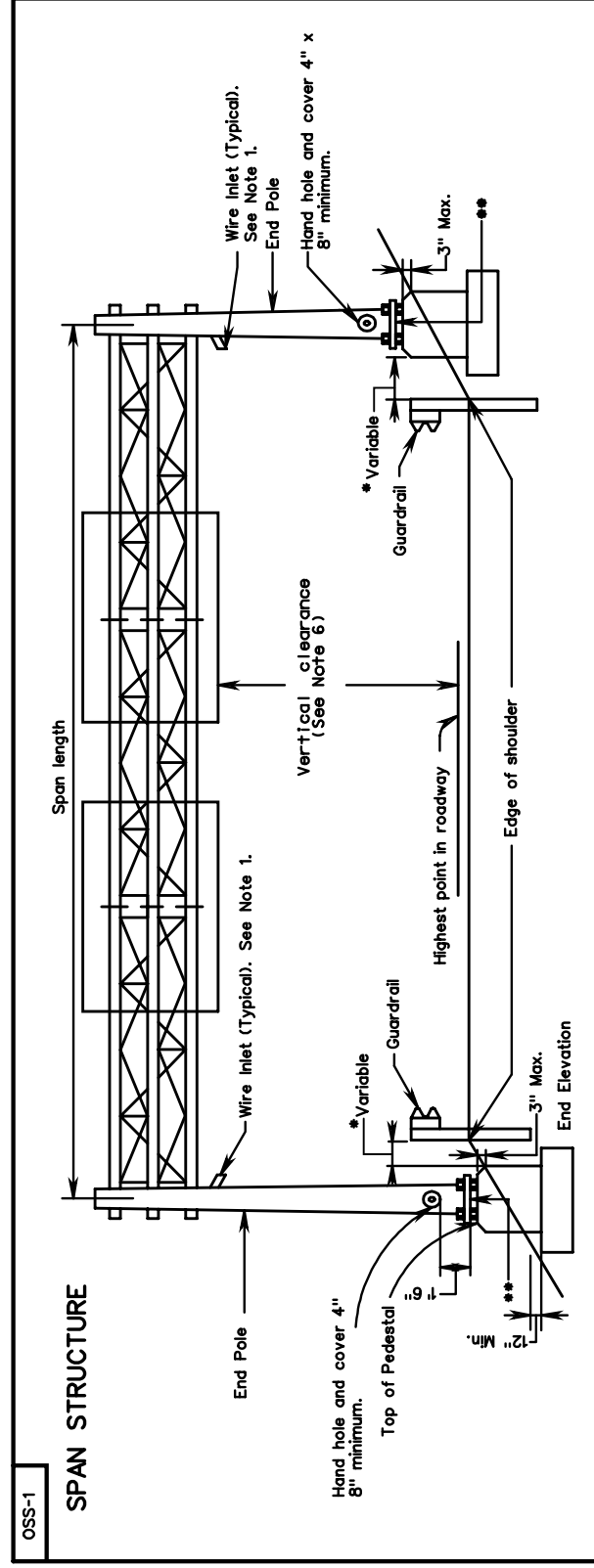


SURVEYED BY \_\_\_\_\_  
 SUPERVISED BY AAA  
 DESIGNED BY BBB

DESIGN FEATURES RELATING TO CONSTRUCTION OR TO REGULATION AND CONTROL OF TRAFFIC MAY BE SUBJECT TO CHANGE AS DEEMED NECESSARY BY THE DEPARTMENT

REVISION	DATE	PREPARED		CHECKED		APPROVED
		PROJECT	DATE	PROJECT	DATE	
	VA.					



**NOTES:**

- 1/2" diameter wire inlets shall be provided at the following locations:
  - On span structures on the front leg of end pole 12" below bottom chord.
  - On cantilever structures on pole 12" below bottom chord.
  - On span structures below bottom chord at centerline behind first sign panel from each end pole.
  - On cantilever structures below bottom chord at centerline behind first sign panel from pole.
- All unused wire inlets shall be capped water tight.
- Distance shall be no less than the minimum indicated in Standard GR-INS.
- No mortar, grout, or concrete shall be placed between bottom of base plate and top of pedestal.
- The maximum space between the bottom of the base plate and the top of the foundation shall be no more than the diameter of the anchor bolt plus one inch.
- Vertical clearance for overhead and bridge mounted sign structures shall be no less than 5.8 meters (19 feet) for structures with a maximum height of 10 meters (33 feet) and no less than 5.3 meters (17 feet) for structures with a maximum height of 10 meters (33 feet). The vertical clearance of the roadway unless otherwise specified on the plans. Luminaire assemblies shall have a vertical clearance of no less than 5.3 meters from the bottom of the assembly to the crown of the roadway.
- All poles/uprights of overhead sign structures including "butterfly" structures shall have a minimum of six anchor bolts, each having a minimum diameter of 1 1/2". Anchor bolts shall be cast in place. Adhesive anchors with epoxy or non-shrink grout shall not be allowed.

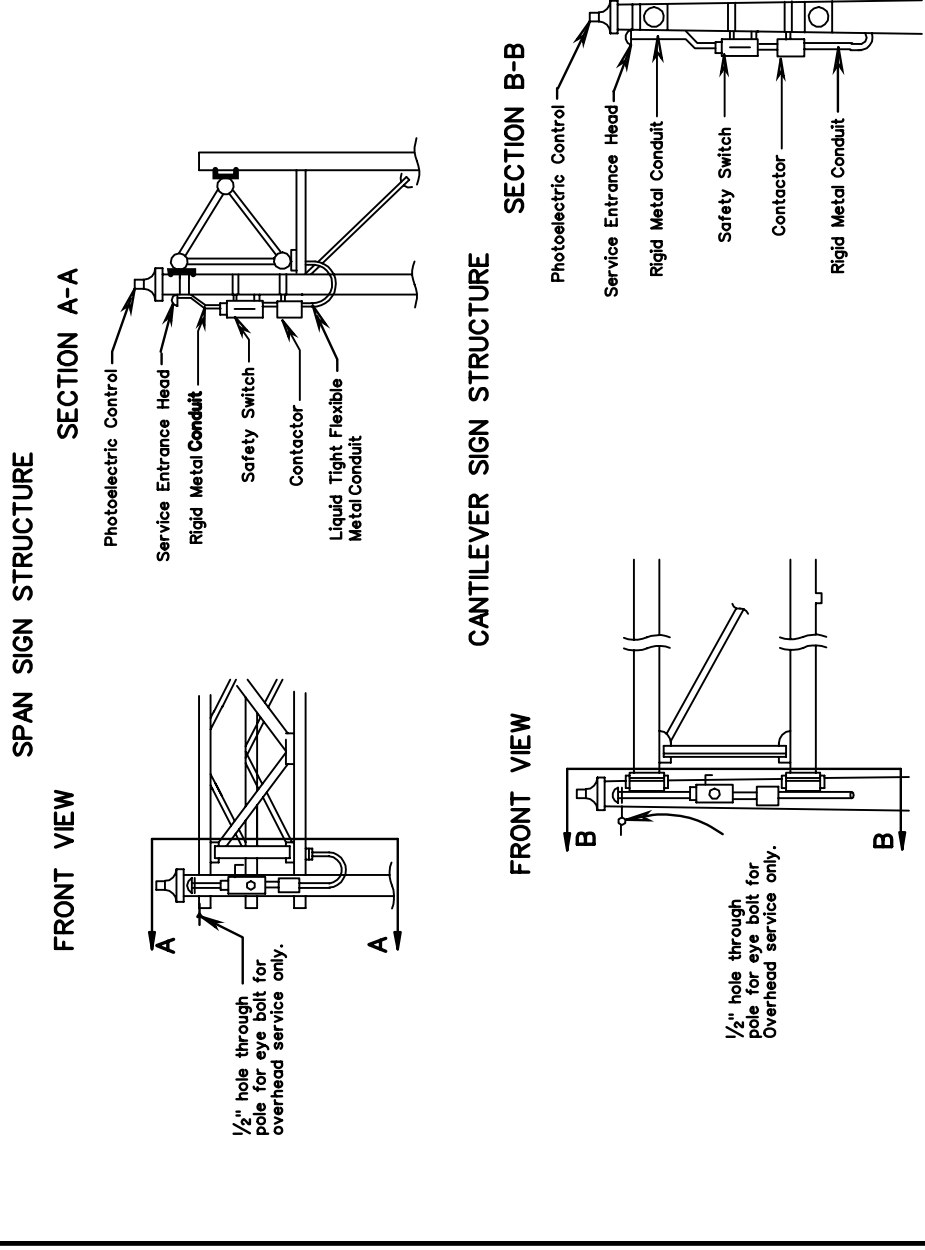
**TYPICAL DETAILS FOR OVERHEAD SIGN STRUCTURES**

VIRGINIA DEPARTMENT OF TRANSPORTATION

REV. 2/06  
 REV. 7/05  
 REV. 4/04  
 REV. 1/04  
 1301.72

OSS-1

**ELECTRIC DETAILS FOR SIGN LIGHTING**



**Note:**

A safety switch shall be installed on all sign structures requiring electrical power. Electrical service for sign structures not controlled by a photocell shall have a photocell and a photocell controlled contactor to control the electrical power to luminaires. The contactor shall be in a NEMA 3R enclosure within 24 inches of the safety switch. All conduit located in or on overhead sign structure shall be 3/4" minimum.

**TYPICAL DETAILS FOR OVERHEAD SIGN STRUCTURES**

VIRGINIA DEPARTMENT OF TRANSPORTATION

REV. 7 / 05  
 REV. 1 / 04  
 REV. 1 / 04  
 1301.73

REV. 2/06  
 SPECIAL DESIGN SECTION  
 DRAWING NO. A - 154

PLANNED	DESIGNED	CHECKED	APPROVED