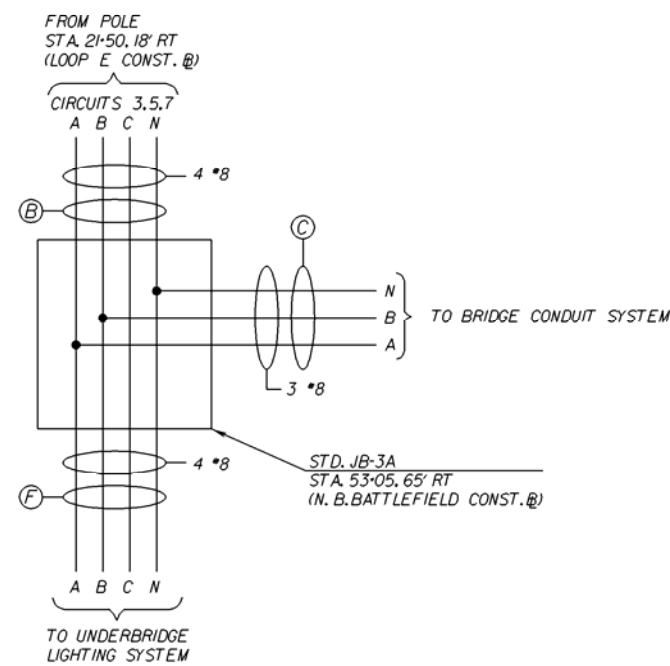
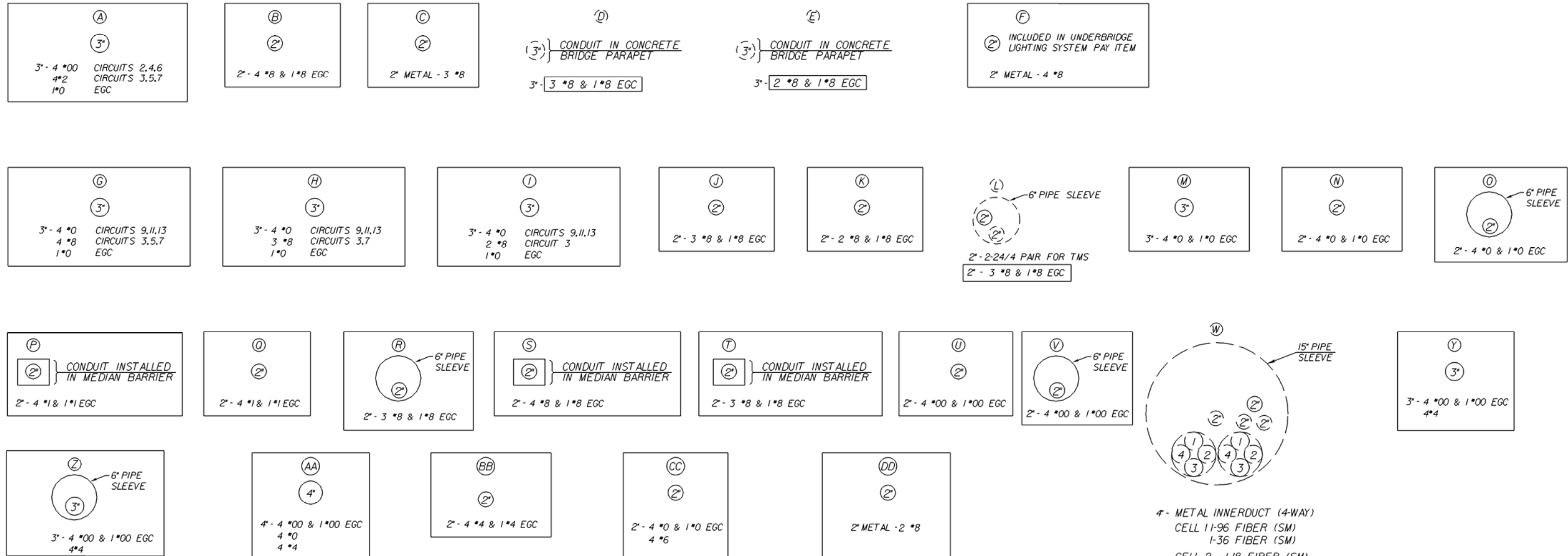


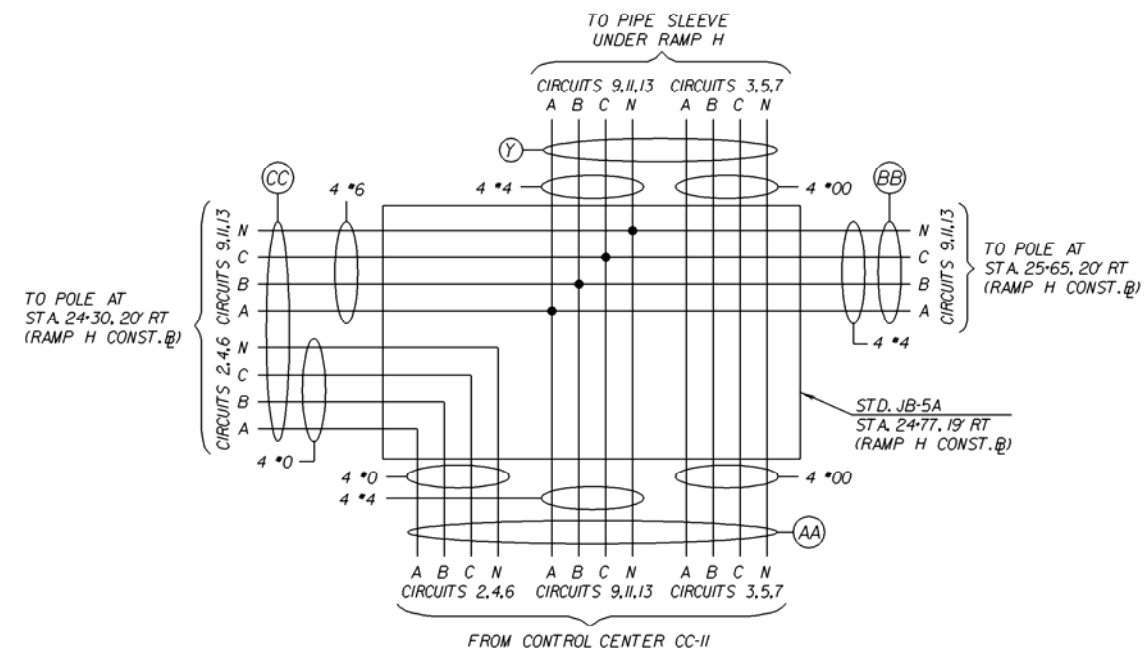
REVISED	STATE	FEDERAL AID		STATE		SHEET NO.
		PROJECT	ROUTE	PROJECT		

Section V - Roadway Lighting

Appendix VA-6



JUNCTION BOX DETAIL 1



JUNCTION BOX DETAIL 2

1	STA. 53-75, ON PARAPET N.B. BATTLEFIELD CONST. @ STD.LP-2, TY.D	5	STA. 56-95, ON PARAPET N.B. BATTLEFIELD CONST. @ STD.LP-2, TY.D
2	STA. 53-68, ON PARAPET S.B. BATTLEFIELD CONST. @ STD.LP-2, TY.D	6	STA. 56-93, ON PARAPET S.B. BATTLEFIELD CONST. @ STD.LP-2, TY.D
3	STA. 55-04, ON PARAPET N.B. BATTLEFIELD CONST. @ STD.LP-2, TY.D	7	STA. 58-70.72' RT. N.B. BATTLEFIELD CONST. @ STD.LP-2, TY.F
4	STA. 54-85, ON PARAPET S.B. BATTLEFIELD CONST. @ STD.LP-2, TY.D	8	STA. 58-25.65' LT. S.B. BATTLEFIELD CONST. @ STD.LP-2, TY.E

ROADWAY LIGHTING
 CONDUIT AND CONDUCTOR
 CABLE CALLOUTS

PLAN NO.	PROJECT	FILE NO.	SHEET NO.