

VIRGINIA DEPARTMENT OF TRANSPORTATION

# LOCATION AND DESIGN DIVISION

## INSTRUCTIONAL AND INFORMATIONAL MEMORANDUM

GENERAL SUBJECT: RETAINING WALL EXCAVATION	NUMBER: IIM-LD-197.1
SPECIFIC SUBJECT:	DATE: DECEMBER 1, 2005
	SUPERSEDES: IIM-LD-197
DIVISION ADMINISTRATOR APPROVAL: Mohammad Mirshahi, P.E. State L&D Engineer Approved: December 1, 2005	

Changes are shaded.

---

### CURRENT REVISION

- 
- Updated for current Division Administrator Approval.
- 

### EFFECTIVE DATE

- 
- This memorandum will be effective on projects scheduled for the February 1991 advertisement and all subsequent projects.
- 

### POLICY

- 
- Retaining Wall Excavation shall consist of the removal of material necessary to accommodate the structure shown on the plans in accordance with Section 401 of the Road and Bridge Specifications.
  - Retaining Wall Excavation will be paid for in Cubic Yards based on plan quantities.
  - Retaining Wall Excavation is applicable for all types of Retaining Walls.

## DEFINITIONS

---

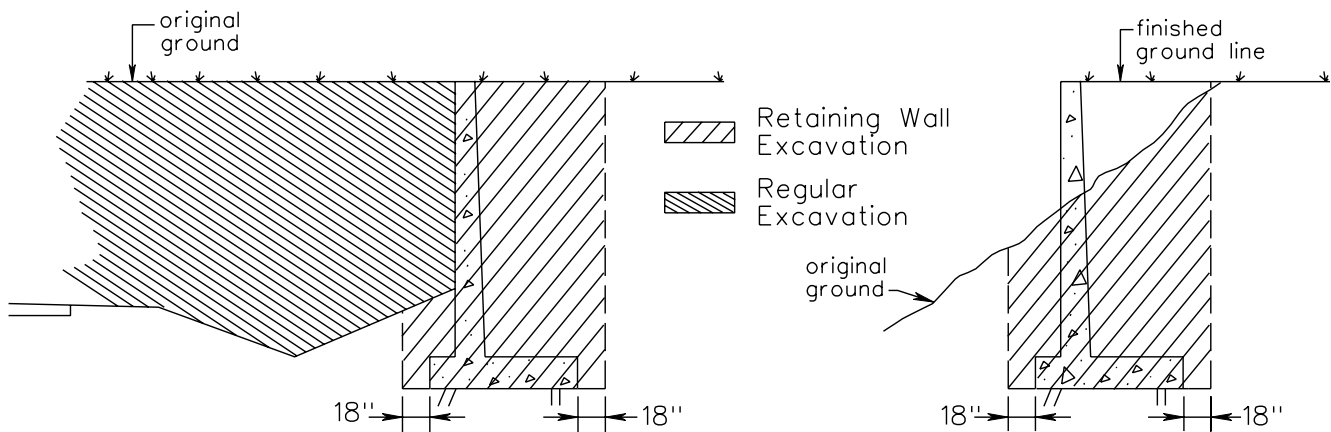
- Neat Line – a line defining the proposed or specified limits of a structure.
  - Weep hole – a hole designed to drain off accumulated water from behind a structure.
- 

## METHOD OF MEASUREMENT

---

- Theoretical volume will be measured in cubic yards of material removed from the limits of vertical planes within 18" outside the neat lines of the footings, measured from the surface of the original ground or proposed roadway down to the bottom of the foundation shown on the plans.
  - See Section 401.04 of the Road and Bridge Specifications for further details.
- 

## EXAMPLES



## SUMMARY

---

- Retaining Walls are summarized on the Incidental Summary; therefore, Retaining Wall Excavation should also be summarized on the Incidental Summary.
- Retaining Wall Excavation should denote the symbol (⊗) for payment on basis of plan quantity as per IIM-LD-135.

---

PAY ITEM

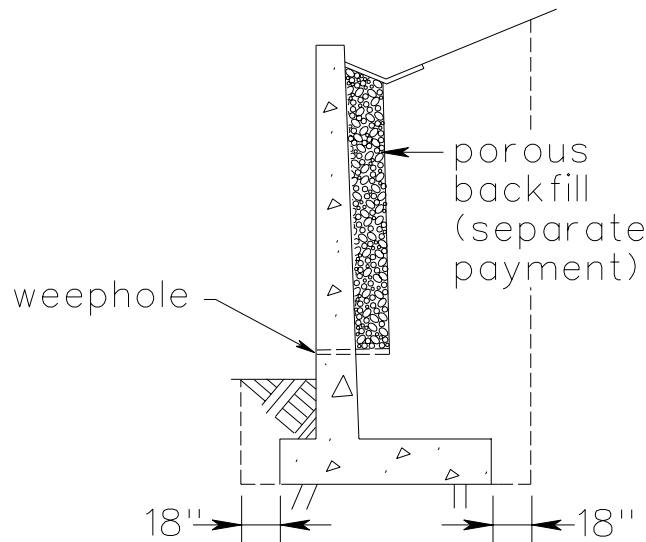
---

- The following pay item has been established for Retaining Wall Excavation.

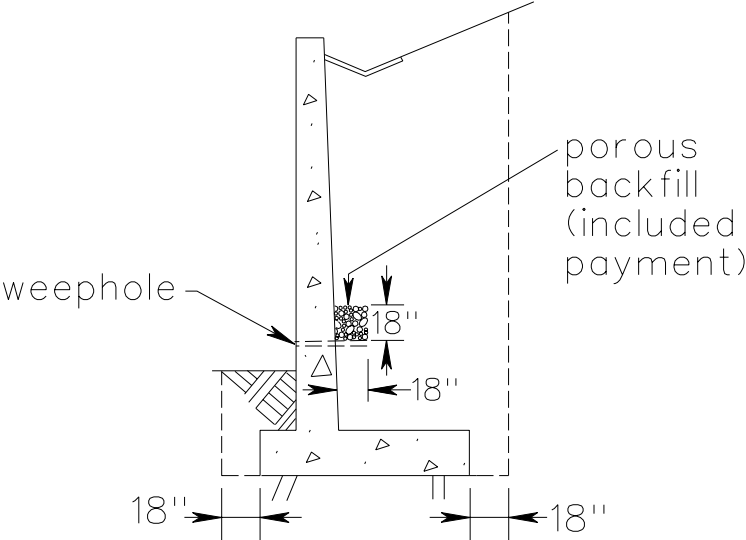
<u>PAY ITEM</u>	<u>PAY UNIT</u>	<u>ITEM CODE</u>
Retaining Wall Excavation	C. Y.	13565

Payment shall be full compensation for excavation, foundation exploration, sheeting and shoring, placing and compacting backfill and disposal of surplus material, weepholes, and porous backfill when not specified as a separate pay item.

When porous backfill is required to the top of the wall, the porous backfill will be paid for separately, in accordance with Section 401.11 of the Road and Bridge Specifications.



Porous backfill is included in the price bid for Retaining Wall Excavation if only required within an 18" cube for drainage behind the weephole as required in Section 401.11 of the Road and Bridge Specifications.



---

**SPECIAL PROVISION**

---

- A Specification is available for applicable projects as follows:
  - <http://www.virginiadot.org/business/const/resources/02rv.pdf>