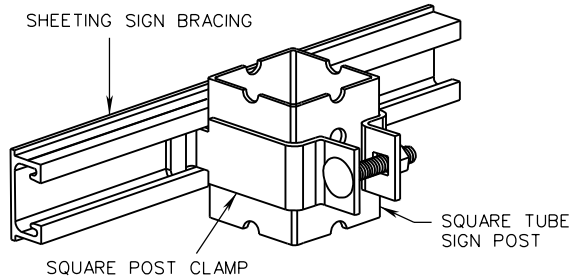
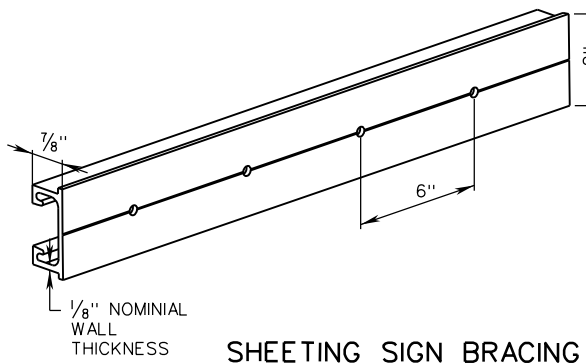


STP-1



**SQUARE POST CLAMP & BRACE  
(CONNECTING JUNCTION)**

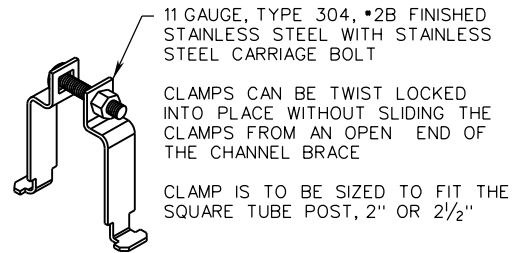


ALUMINUM SIGN BRACING 2"  
MOUNTING SURFACE x 7/8" DEPTH  
x 1/8" NOMINAL WALL THICKNESS

6061-T6 ALUMINUM ALLOY,  
PUNCHED WITH 3/16" DIAMETER  
HOLES ON 6" CENTERS FOR  
ATTACHMENT OF SIGN SUBSTRATE  
USING SIGN PANEL 3/16" DRIVE  
RIVETS, OR 3/8" DIAMETER HOLES  
ON 12" CENTERS WHEN USING 3/8"  
DRIVE RIVETS.

**NOTES:**

1. SEE SHEET 12 OF 12 FOR SIGN PANEL ATTACHMENT DETAILS.



**SQUARE POST CLAMP DETAIL**

A COPY OF THE ORIGINAL SEALED AND SIGNED DRAWING IS ON FILE IN THE CENTRAL OFFICE.

<b>VDOT</b> ROAD AND BRIDGE STANDARDS	
SHEET 10 OF 12	REVISION DATE 08/17
1321.19	

**SQUARE TUBE SIGN POST  
SIGN BRACING DETAILS**

VIRGINIA DEPARTMENT OF TRANSPORTATION

SPECIFICATION REFERENCE
700