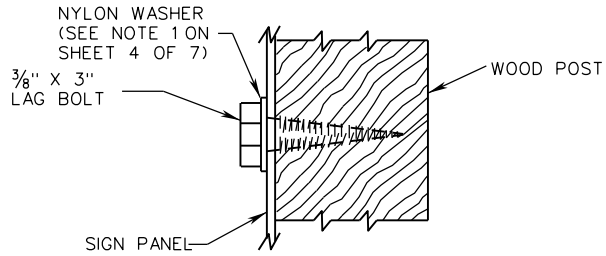
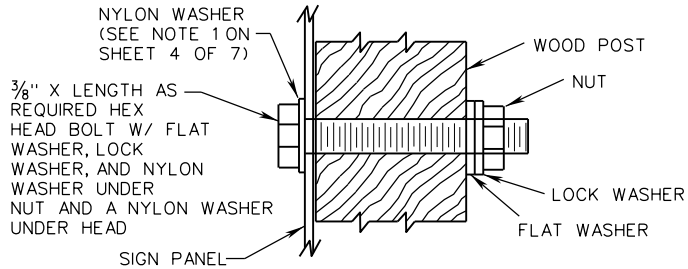


WSP-1

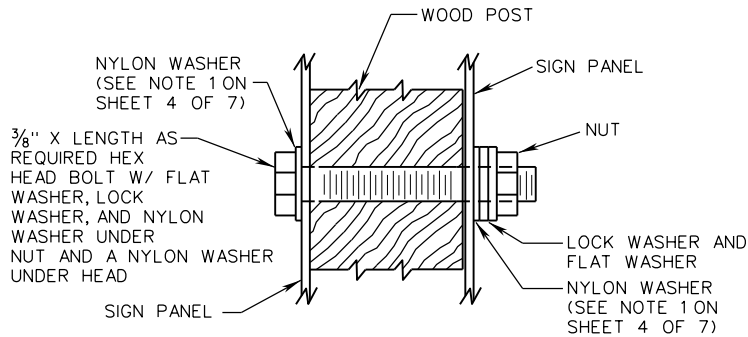
**WOOD POSTS NOT REQUIRING BRACING**



**SINGLE SIGN PANEL DETAIL**

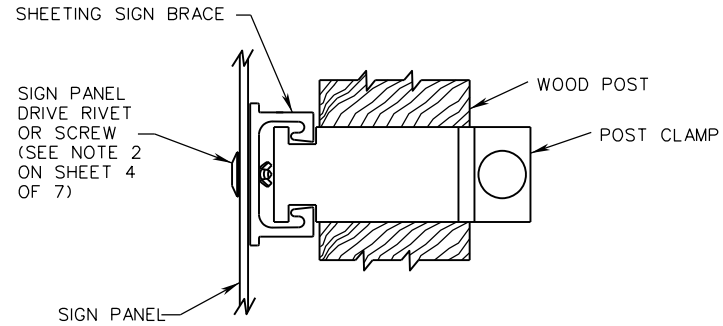


**SINGLE SIGN PANEL ALTERNATE METHOD DETAIL**

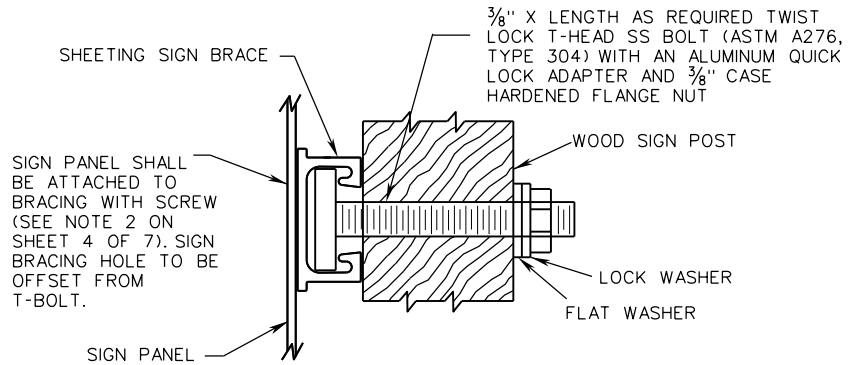


**BACK-TO-BACK SIGN PANEL DETAIL**

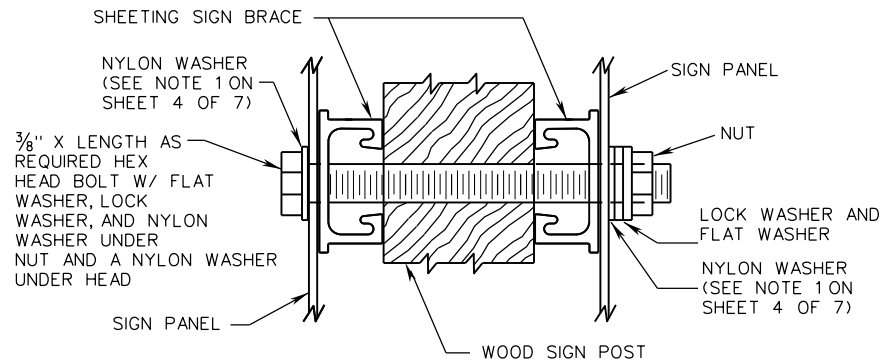
**WOOD POSTS REQUIRING BRACING**



**SIGN PANEL ATTACHMENT DETAIL**



**SINGLE SIGN PANEL ALTERNATE METHOD DETAIL**



**BACK-TO-BACK SIGN PANEL DETAIL**

**NOTES:**

1. SEE SHEET 4 OF 7 FOR NOTES.

A COPY OF THE ORIGINAL SEALED AND SIGNED DRAWING IS ON FILE IN THE CENTRAL OFFICE.

**TEMPORARY SIGNS**  
 (FOR CONSTRUCTION, MAINTENANCE, PERMIT AND UTILITY ACTIVITIES)  
 WOOD POST SIGN STRUCTURES - ATTACHMENT DETAILS  
 VIRGINIA DEPARTMENT OF TRANSPORTATION

SPECIFICATION REFERENCE

512  
700



ROAD AND BRIDGE STANDARDS

SHEET 5 OF 7

REVISION DATE

1320.14

08/17