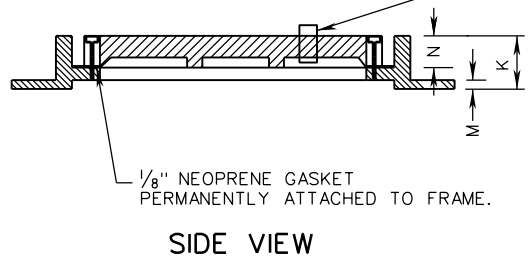
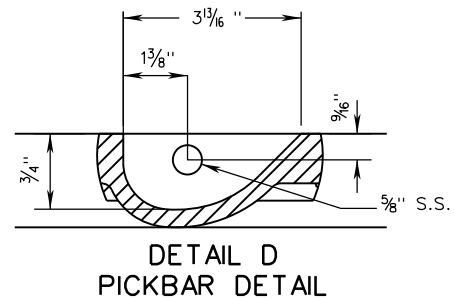
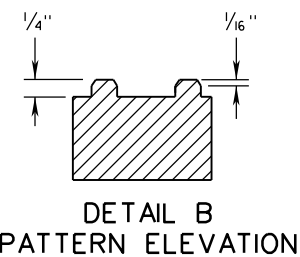
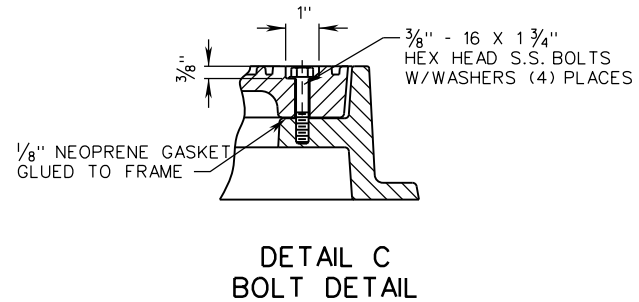
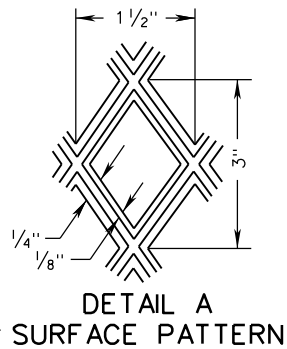
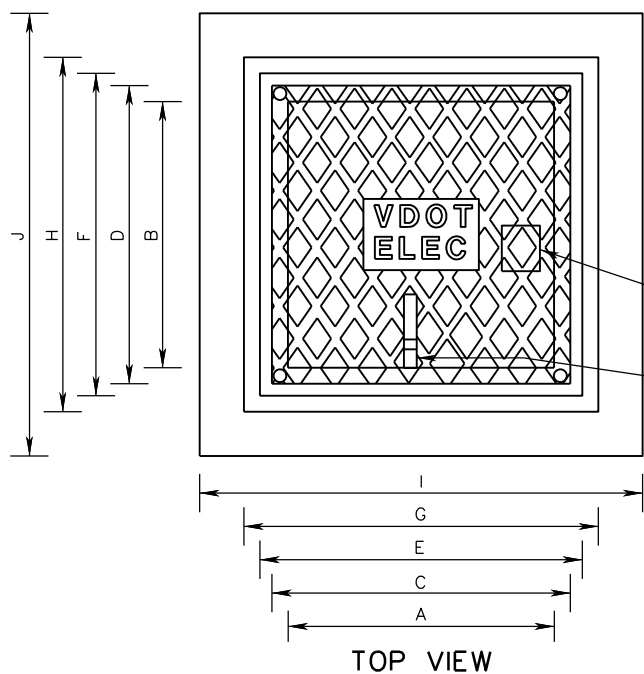


JB-R1, R2



SIDE VIEW

STANDARD	DIMENSIONS												
	A	B	C	D	E	F	G	H	I	J	K	M	N
JB-R1	18"	18"	19"	19"	20"	20"	21"	21"	24"	24"	4"	5/8"	1"
JB-R2	24"	24"	26"	26"	27"	27"	28"	28"	33"	33"	4"	5/8"	1"

NOTES:

1. EACH COVER SECTION SHALL HAVE A NON-SKID SURFACE WITH LETTERS CAST IN THE DEPRESSION ON TOP. THE LETTERS "VDOT ELEC", "VDOT TRAFF", "VDOT COMM", "VDOT FIBER", OR "UTILITY" AS APPLICABLE ARE TO BE ONE (1) INCH WIDE AND RAISED 1/4" HIGH. COVERS USED FOR JUNCTION BOXES INSTALLED THAT WILL BE MAINTAINED BY LOCALITIES SHALL OMIT THE WORD "VDOT".
2. FOUR RECESSED 3/8" S.S. HEX HEAD BOLTS ARE REQUIRED FOR EACH COVER.
2. GRAY IRON CASTINGS SHALL BE AS PER SECTION 224 OF THE SPECIFICATIONS.



ROAD AND BRIDGE STANDARDS

A COPY OF THE ORIGINAL SEALED AND SIGNED DRAWING IS ON FILE IN THE CENTRAL OFFICE.

JUNCTION BOX

FOR TRAFFIC USE

VIRGINIA DEPARTMENT OF TRANSPORTATION

SPECIFICATION REFERENCE

700

SHEET 2 OF 2

REVISION DATE

1317.11

08/17