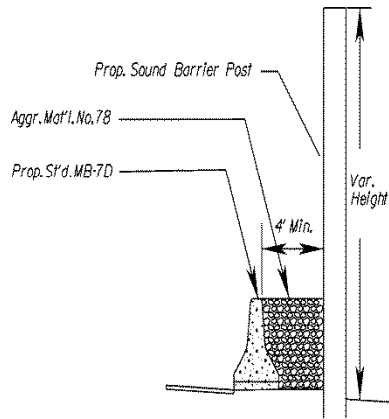
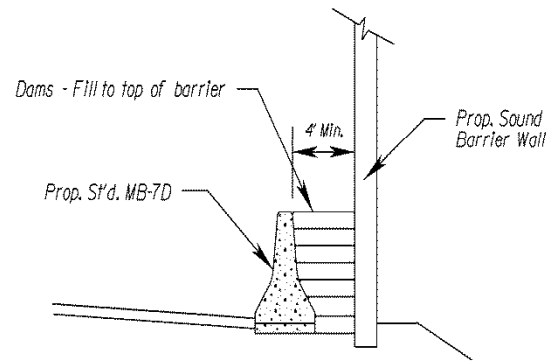


SOUND BARRIER WALL



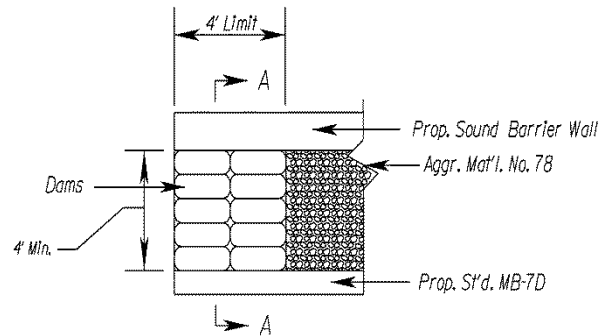
SPECIAL DESIGN GRAVEL DAM

A concrete gravel dam shall be placed at the beginning and the end of the median barrier so that the No. 78 aggregate material is contained. The cost of the gravel dam shall be included in the cost of other items.



SECTION A-A

Detail is for Precast Traffic Barrier Service only. If Cast In Place or slip form method is used additional spacing between traffic barrier and sound wall may be required.



PLAN VIEW