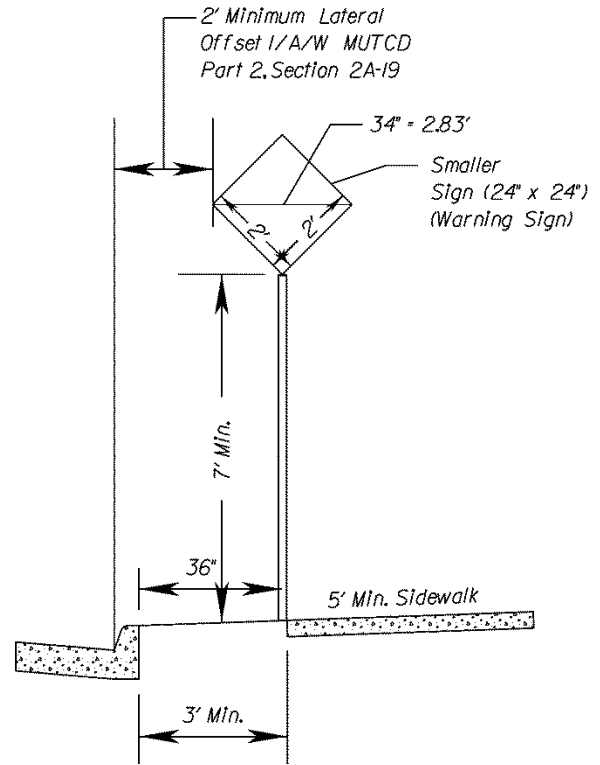


*Typical Urban Projects  
Greater than 25 mph  
Posted Speed*

**DETAIL 1\***



*Subdivision Streets  
25 mph Posted Speed  
and Less*

**DETAIL 2**

**SIDEWALKS**

Sidewalks are that portion of a public right of way between the curb line or lateral line of a roadway and the adjacent property line that is improved for use by pedestrians. Sidewalks shall have the following elements:

\* Rev. 7/14