

When physical barrier, railing (HR-1, Ty. III)* or chain link fence are required. See Road and Bridge Standards for details.

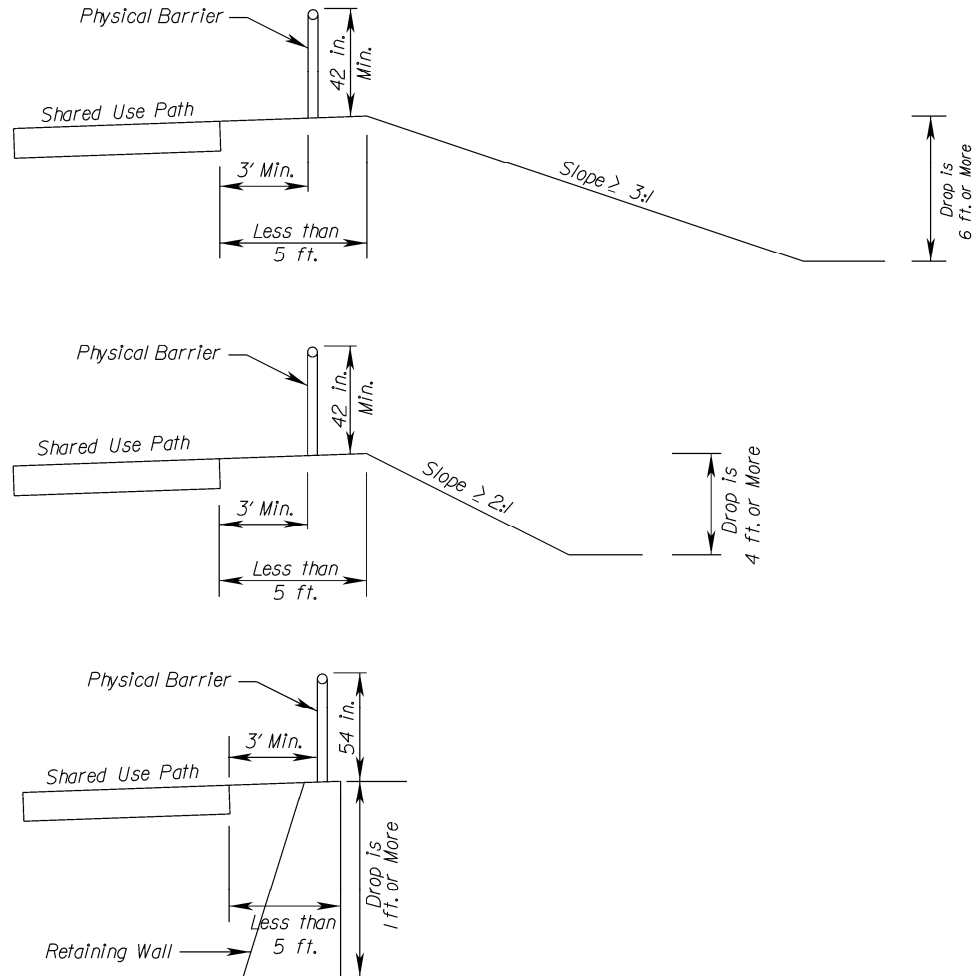


FIGURE A-5-6 PHYSICAL BARRIER FOR SHARED-USE PATH

* Rev. 1/11