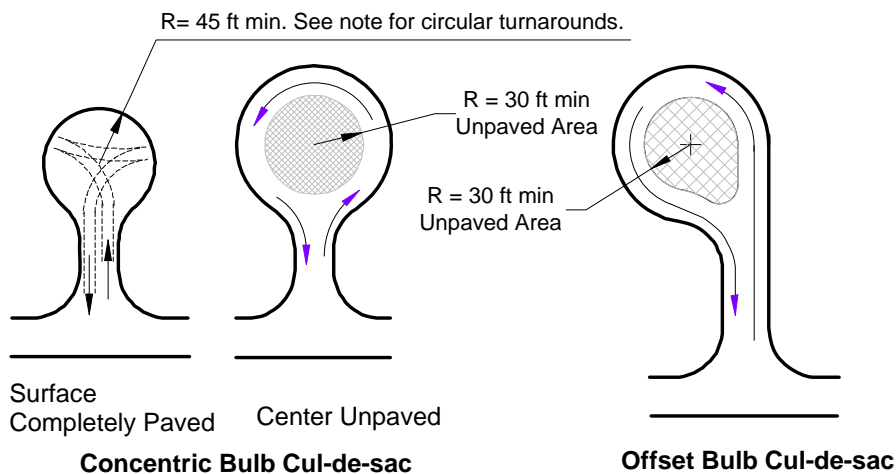


- d. Temporary turnarounds and stub streets
 A turnaround should be provided for any temporary or stub street longer than 150' from the point of intersection to the end of pavement.
 Any portion of the turnaround outside the dedicated right of way for the stub street may be placed in an easement.



For circular turnarounds on short low volume residential cul-de-sac streets, the 45 ft minimum radius may be reduced to 30 feet when specifically approved by the locality in consultation with emergency services.

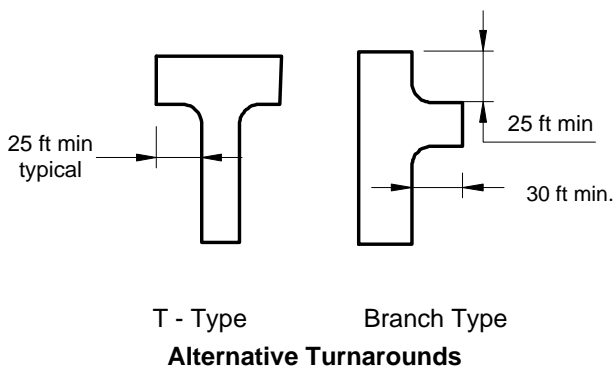


FIGURE 4 – CUL-DE-SAC DETAILS*

* Rev. 3/09