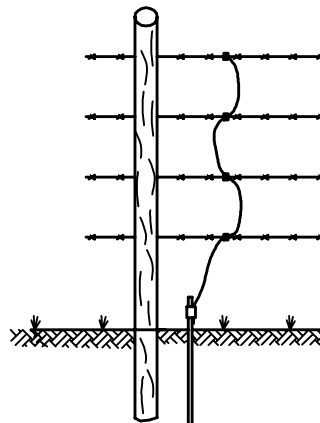
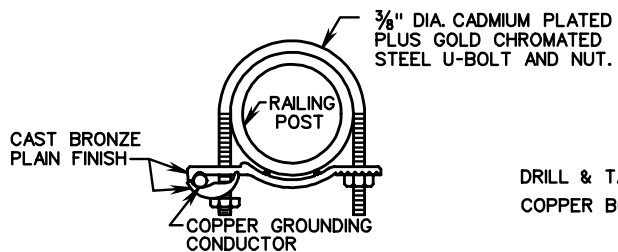


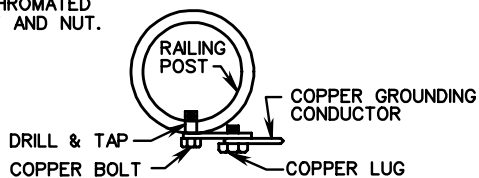
FOR CHAIN LINK FENCE GROUNDING, SEE DETAIL BELOW.



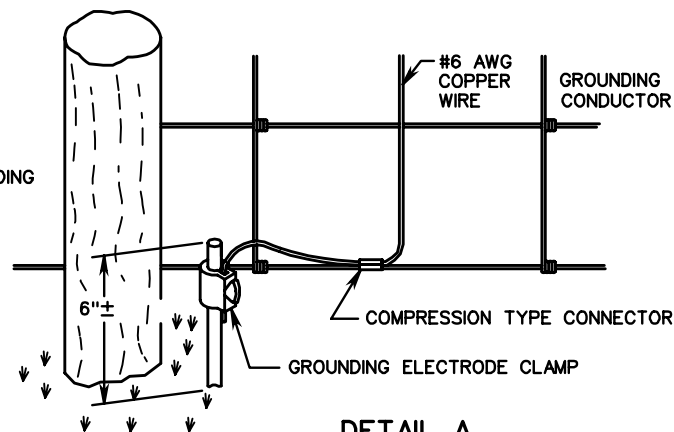
ELEVATION



CHAIN LINK FENCE SHALL 3 CONNECTIONS FOR EACH GROUNDING CONDUCTOR/ELECTRODE: ONE CLAMP CONNECTION AT POST BASE AND TWO COMPRESSION CONNECTORS ON THE CHAIN LINK AT MIDDLE AND TOP.



ALTERNATE



DETAIL A

NOTES:
 APPROXIMATE MATERIALS PER INSTALLATION:
 1-3/4" DIAMETER BY 10'-0" LONG COPPER CLAD GROUNDING ELECTRODE.
 1 GROUNDING ELECTRODE CLAMP
 1-7'-0" # 6 AWG SOLID COPPER CONDUCTOR
 3* COMPRESSION CONNECTORS (SUITABLE FOR COPPER AND ALUMINUM)
 * MINIMUM 3 CONNECTORS FOR 47" FENCE FABRIC TO BE SECURED TO TOP, BOTTOM AND ONE INTERMEDIATE HORIZONTAL WIRE STRAND. ONE ADDITIONAL CONNECTOR TO BE FURNISHED FOR EACH STRAND OF BARBED WIRE.
 ON BARBED WIRE INSTALLATIONS, ONE CONNECTOR IS TO BE FURNISHED FOR EACH STRAND.
 GROUNDING CONDUCTOR IS TO BE IN CONTACT WITH HORIZONTAL WIRE OF FENCE BY COMPRESSION CONNECTORS AS SHOWN.
 GROUNDING ELECTRODE TO BE LOCATED ON POST SIDE OF FENCE AND AS CLOSE AS POSSIBLE TO POST AND FENCE.
 UNLESS OTHERWISE CALLED FOR IN THE PLANS OR DIRECTED BY THE ENGINEER, FENCE GROUNDING WILL BE REQUIRED FOR METAL FENCES INCLUDING PLASTIC COATED FENCE FABRIC AT THE FOLLOWING LOCATIONS.
 -WHEN HIGH VOLTAGE LINES CROSS ABOVE THE FENCE. GROUNDING SYSTEMS SHALL BE INSTALLED 50' BEYOND THE OVERHEAD CROSSING POINT OF THE OUTER MOST CONDUCTORS OF THE HIGH VOLTAGE LINES.
 -WHEN THE HIGH VOLTAGE LINES ARE PARALLEL TO AND WITHIN 50' HORIZONTALLY OF THE FENCE. GROUNDING SYSTEMS SHALL BE INSTALLED AT 50' INTERVALS ALONG THE PARALLEL SECTIONS OF FENCE AND HIGH VOLTAGE LINES.
 COST FOR FURNISHING AND PLACING ALL GROUNDING MATERIALS IS TO BE INCLUDED IN PRICE BID PER LINEAR FOOT OF FENCE.
 DETAILS SHOWN HEREON ARE TO APPLY TO ALL METAL FENCES AND HANDRAILS. FENCES WILL BE GROUNDED ONLY WHEN INDICATED ON THE PLANS OR AS RECOMMENDED BY THE ENGINEER.

DETAIL FOR GROUNDING STEEL POST OF CHAIN LINK FENCE & HANDRAIL (HR-1)

SPECIFICATION REFERENCE

507
238

STANDARD METHOD OF FENCE & HANDRAIL GROUNDING

VIRGINIA DEPARTMENT OF TRANSPORTATION

VDOT

ROAD AND BRIDGE STANDARDS

REVISION DATE

SHEET 1 OF 1

503.07