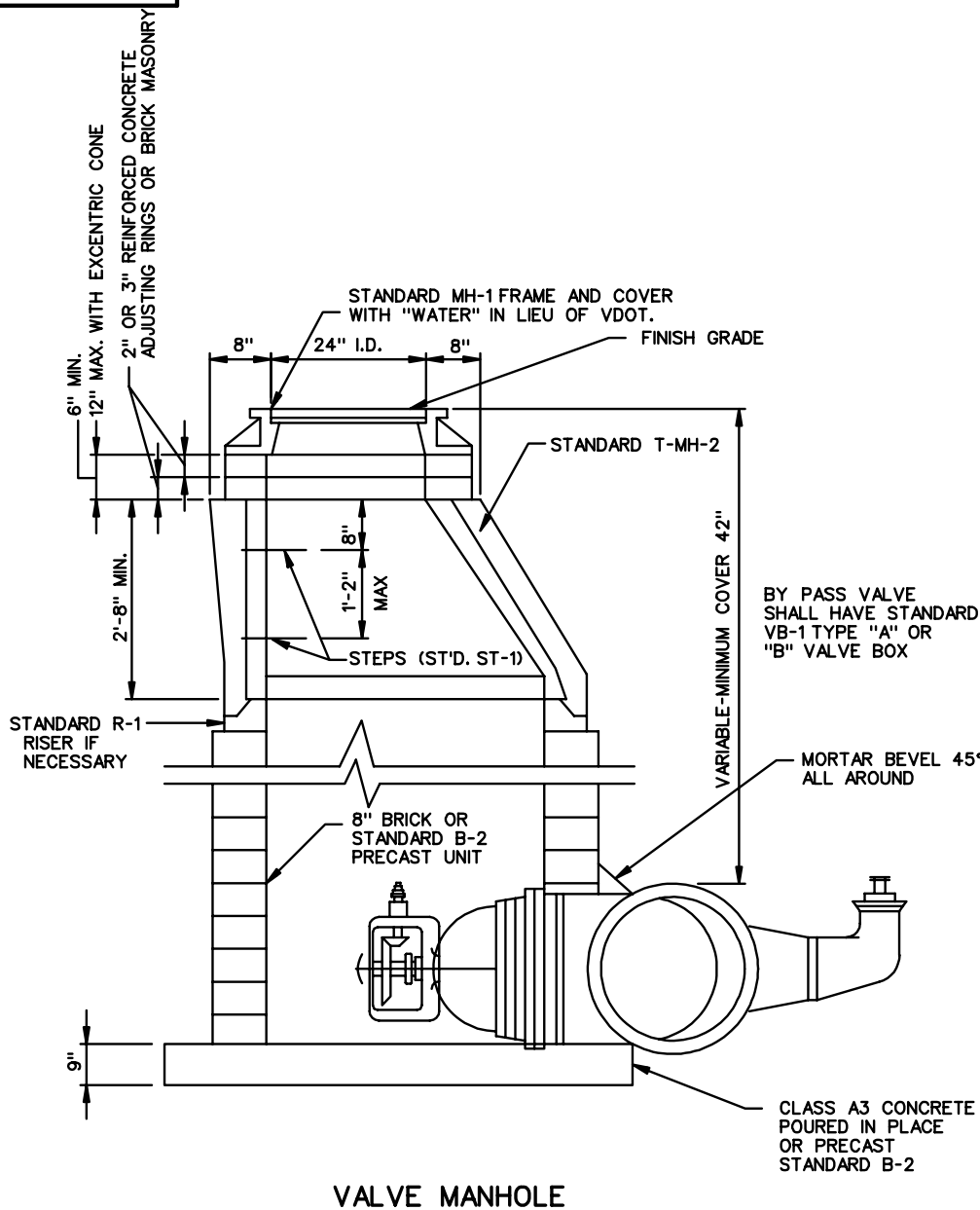


VM-1



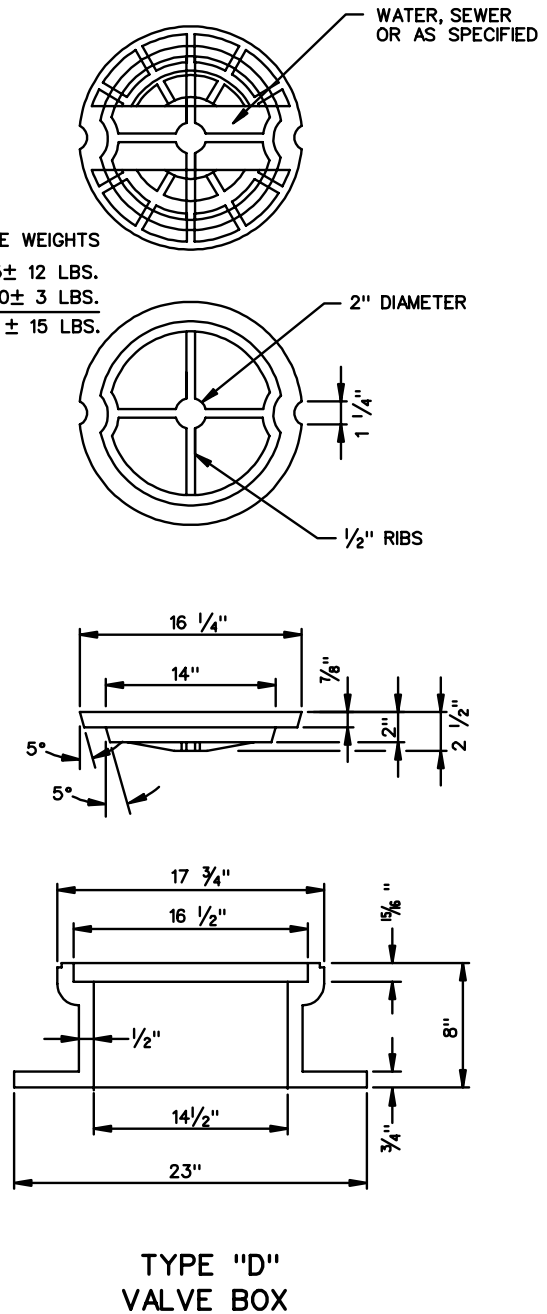
VB-1

APPROXIMATE WEIGHTS

FRAME 115 ± 12 LBS.

COVER 50 ± 3 LBS.

TOTAL 165 ± 15 LBS.



ROAD AND BRIDGE STANDARDS

SHEET 2 OF 2

REVISION DATE

1406.02

VALVE BOX AND VALVE MANHOLE
(WATER AND SANITARY SEWER FACILITIES)

VIRGINIA DEPARTMENT OF TRANSPORTATION

SPECIFICATION
REFERENCE