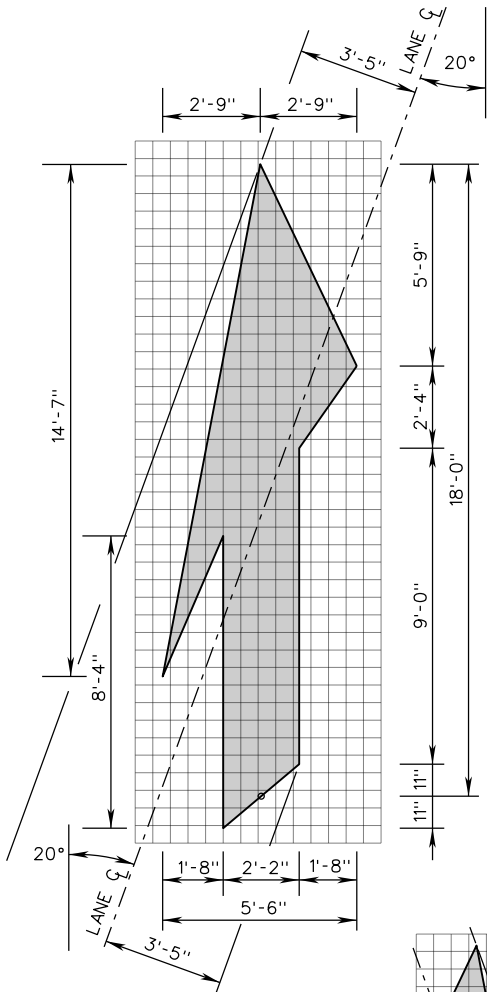


PM-10

**NOTES:**

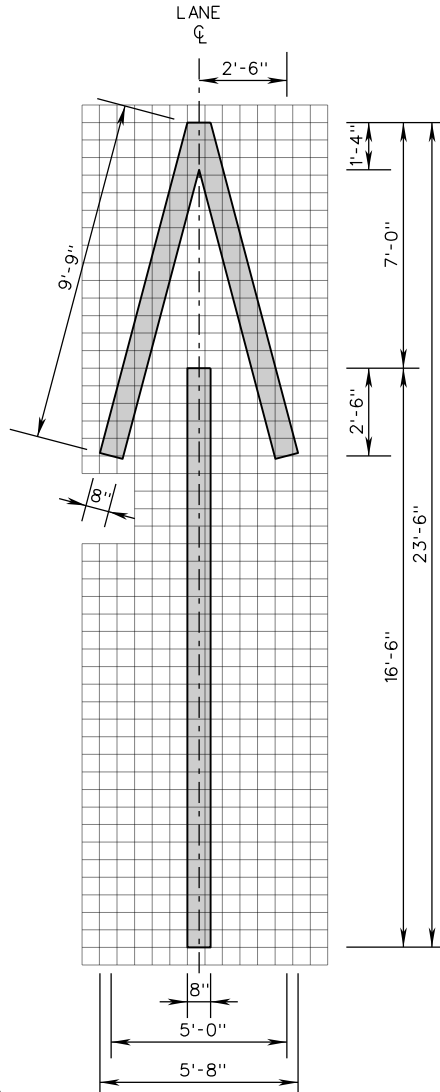
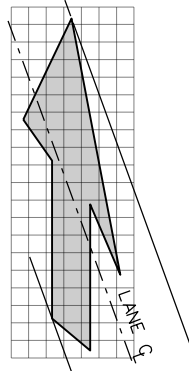
1. 1 GRID UNIT = 6 INCHES
2. ALL SYMBOLS/LEGEND SHALL BE WHITE UNLESS OTHERWISE SPECIFIED IN THE CONTRACT DOCUMENTS.



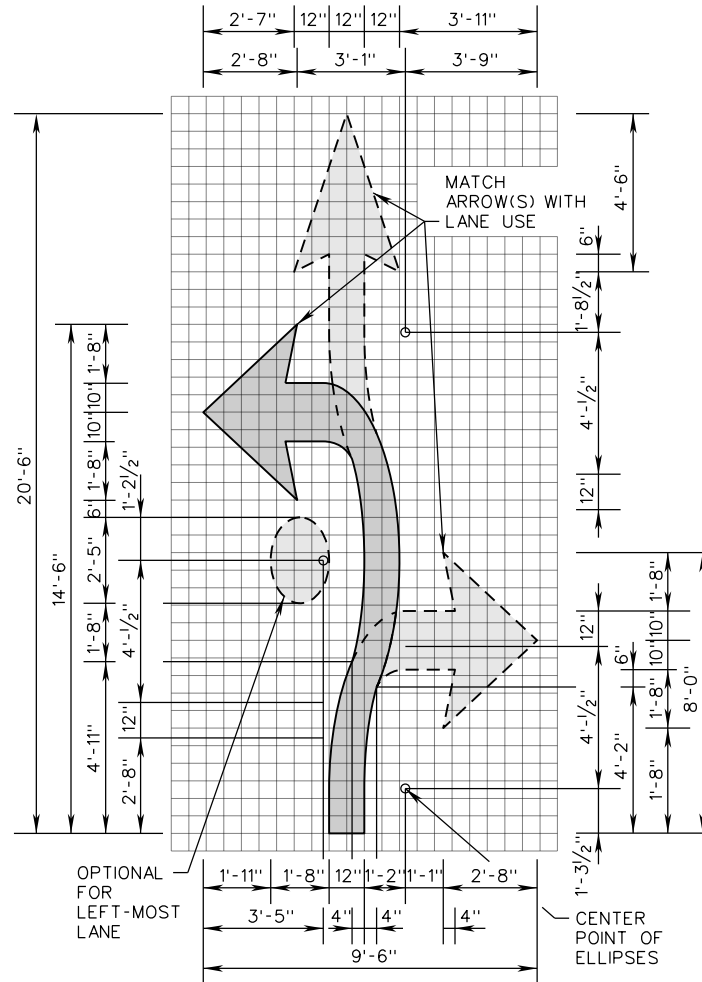
**LANE REDUCTION  
ARROW (LEFT)**

**LANE REDUCTION  
ARROW (RIGHT)**

SHOWN FOR CLARITY  
1 GRID UNIT = 1 FOOT



**WRONG-WAY ARROW**



**FISH-HOOK LANE-USE  
ARROW FOR  
ROUNDBOUTS**

A COPY OF THE ORIGINAL SEALED AND SIGNED DRAWING IS ON FILE IN THE CENTRAL OFFICE.  
**PAVEMENT WORD, SYMBOL, AND ARROW MARKINGS**  
**ARROW DETAILS**

VIRGINIA DEPARTMENT OF TRANSPORTATION

SPECIFICATION  
REFERENCE

704



ROAD AND BRIDGE STANDARDS

SHEET 6 OF 15

REVISION DATE

1340.15

01/15