

FURNISH 2 EACH $\frac{3}{8}$ " GALVANIZED BOLT WITH HEX HEAD, HEX NUT AND 2 WASHERS FOR EACH BOLT.

5' COPE FOR SHAPES WEIGHING MORE THAN 12 LB/FT. NO COPE FOR OTHERS.

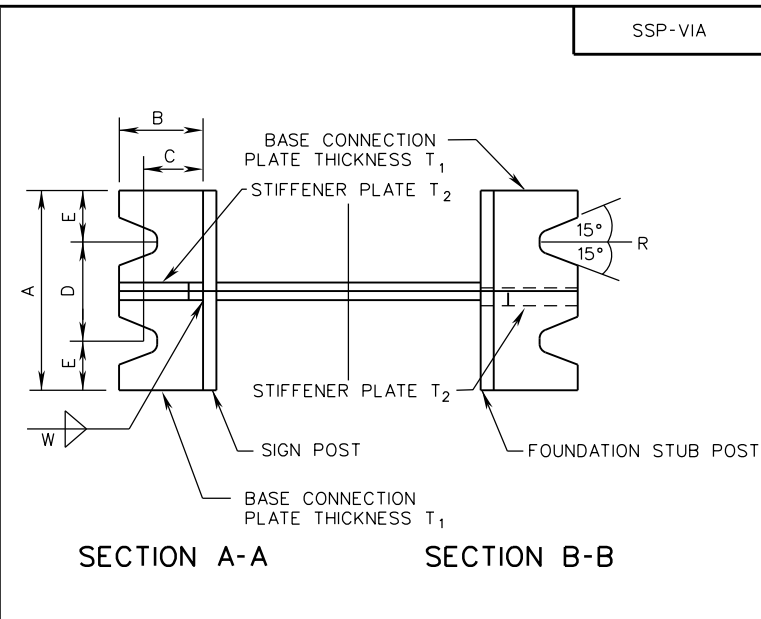
REMOVE ALL GALVANIZED RUNS OR BEADS IN WASHER AREA.

ANCHOR BOLTS H. S. BOLT WITH HEX. HEAD, HEX. NUT AND 3 WASHERS WITH EACH BOLT. SEE TABLES FOR BOLT DIAMETER AND TORQUE.

SIGN POST AND FOUNDATION STUB POST ELEVATION

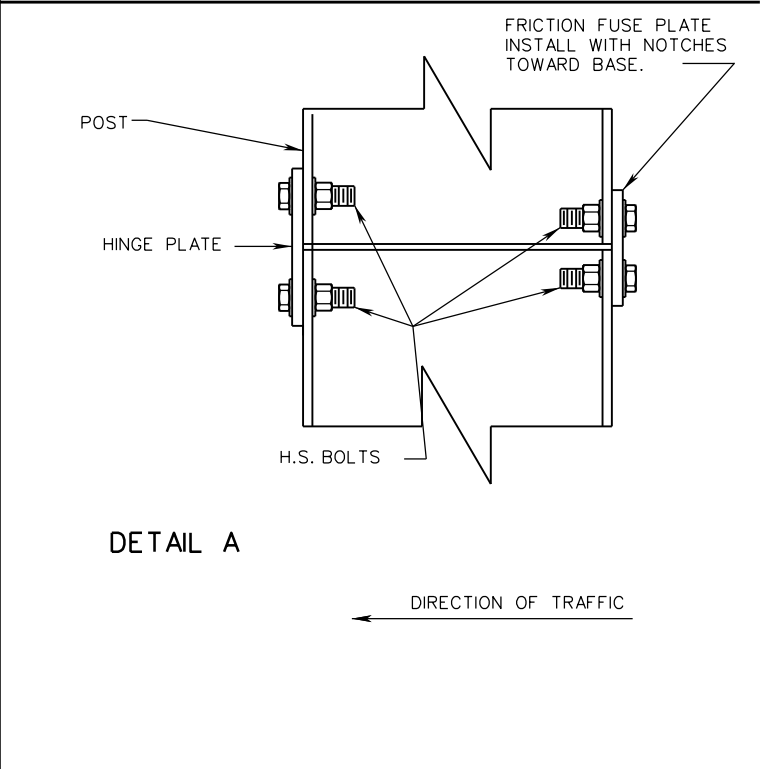
NOTES:

- 1. ALL POST LENGTHS SHALL BE FIELD CHECKED BY CONTRACTOR PRIOR TO FABRICATION.



SECTION A-A

SECTION B-B



DETAIL A

SPECIFICATION REFERENCE

700

A COPY OF THE ORIGINAL SEALED AND SIGNED DRAWING IS ON FILE IN THE CENTRAL OFFICE.

**INTERSTATE SIGN STRUCTURE
INSTALLATION DETAILS**

VIRGINIA DEPARTMENT OF TRANSPORTATION

VDOT

ROAD AND BRIDGE STANDARDS

REVISION DATE

01/15

SHEET 2 OF 10

1323.11