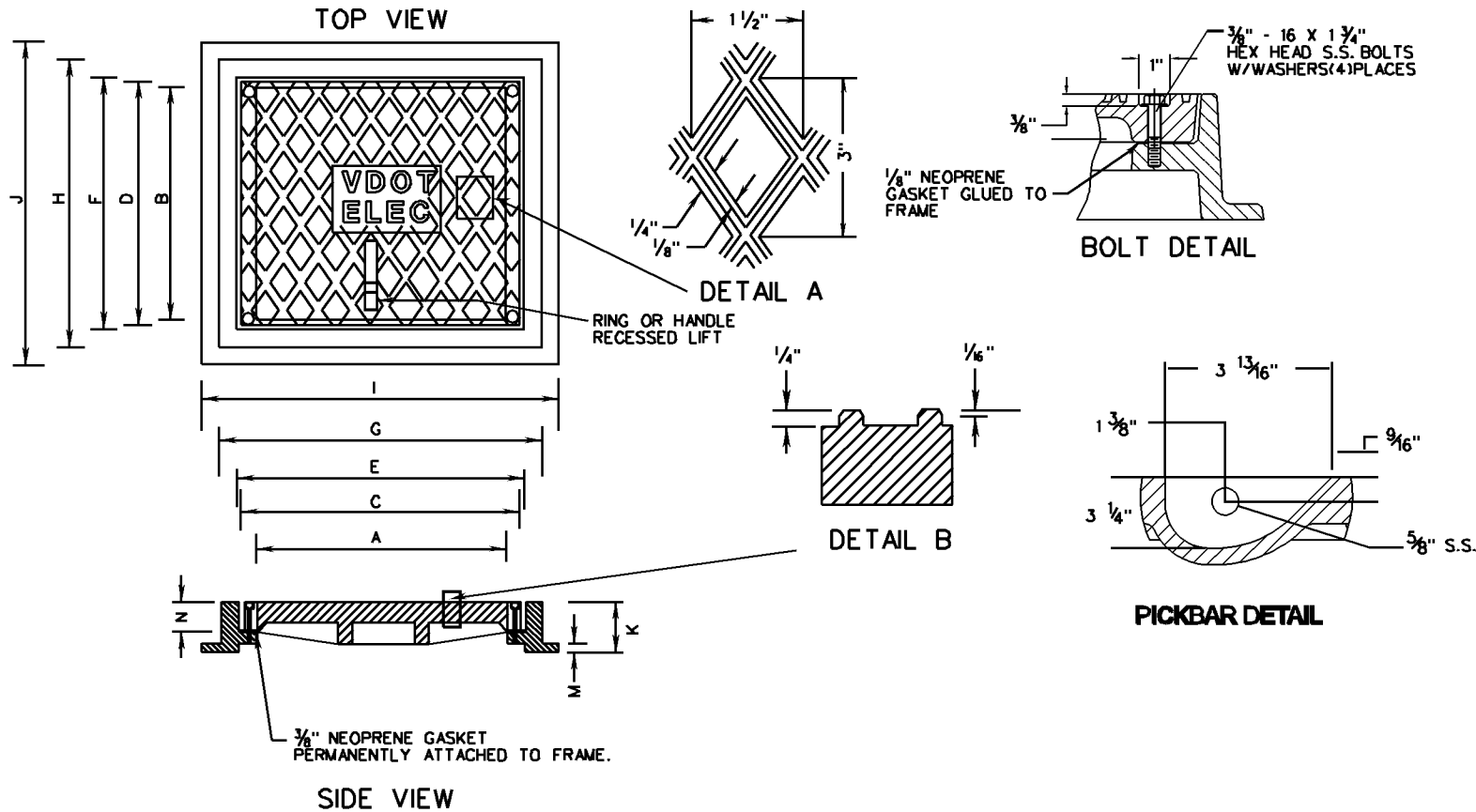


JB-R1 & R2



| STANDARD | DIMENSIONS | | | | | | | | | | | | |
|----------|------------|-----|-----|-----|-----|-----|-----|-----|-----|-----|----|------|----|
| | A | B | C | D | E | F | G | H | I | J | K | M | N |
| JB-R1 | 18" | 18" | 19" | 19" | 20" | 20" | 21" | 21" | 24" | 24" | 4" | 5/8" | 1" |
| JB-R2 | 24" | 24" | 26" | 26" | 27" | 27" | 28" | 28" | 33" | 33" | 4" | 5/8" | 1" |

NOTES:

THE COVER SHALL HAVE A NON-SKID SURFACE WITH LETTERS CAST IN THE DEPRESSION ON TOP. THE LETTERS "VDOT ELEC", "VDOT TRAFF", "VDOT COMM" OR "UTILITY" AS APPLICABLE ARE TO BE ONE (1) INCH WIDE AND RAISED 1/4" HIGH. COVERS USED FOR JUNCTION BOXES INSTALLED WITHIN MUNICIPALITIES AND NOT MAINTAINED BY VDOT SHALL NOT REQUIRE THE VDOT REFERENCE.

FOUR RECESSED 3/8" HEX BOLTS ARE REQUIRED FOR EACH COVER.

CASTINGS SHALL MEET ALL REQUIREMENTS OF AASHTO M306 AND AASHTO M105

VDOT
ROAD AND BRIDGE STANDARDS

SHEET 2 OF 2
1317.11

REVISION DATE
06-15-2009

JUNCTION BOX
FOR TRAFFIC USE

VIRGINIA DEPARTMENT OF TRANSPORTATION

SPECIFICATION REFERENCE

700