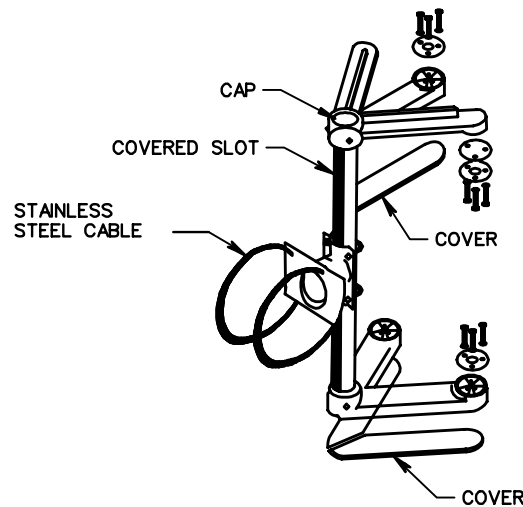


NOTES:

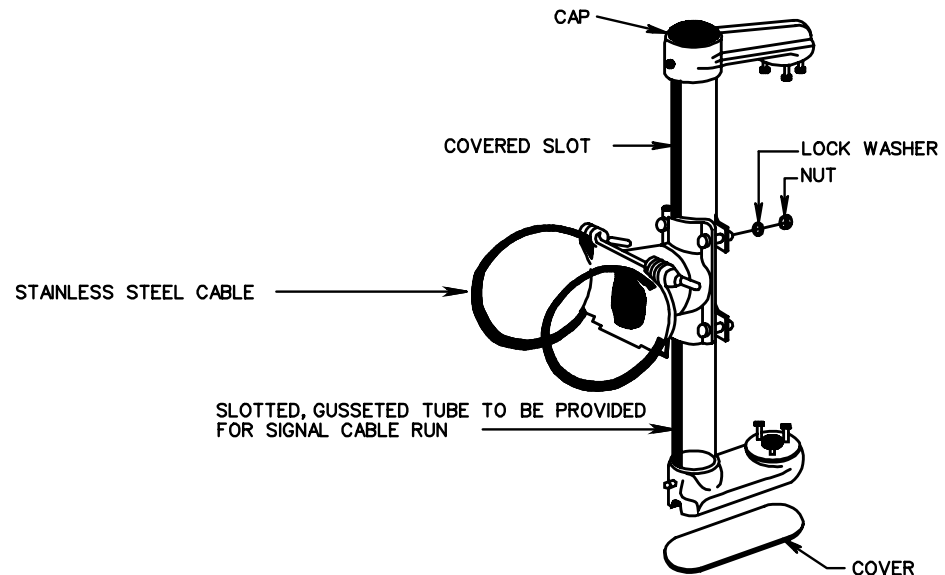
SIGNAL HEAD CABLES SHALL BE CONTINUOUS FROM THE CONTROLLER TO THE NEAREST SIGNAL HEAD TO WHICH IT APPLIES EXCEPT CABLE TERMINATIONS MAY BE ALLOWED ON THE POLE TERMINAL STRIP WHEN REQUIRED BY THE PLANS. THE CABLE SHALL ALSO BE CONTINUOUS FROM THE FIRST SIGNAL HEAD TO ANY ADDITIONAL HEADS WITH TERMINATION ON THE TERMINALS WITHIN THE SIGNAL HEAD HOUSING.

**POLE AND HANGER ASSEMBLY
HARDWARE REQUIREMENTS**

POLE TYPE	HARDWARE TYPE
GALVANIZED STEEL	ALUMINUM OR GALVANIZED IRON
STEEL PAINTED ALUMINUM	ALUMINUM, GALVANIZED IRON OR IRON PAINTED ALUMINUM
STEEL PAINTED OTHER THAN ALUMINUM	ALUMINUM OR IRON PAINTED TO MATCH POLE



**5 SECTION CLUSTER
MOUNTING DETAIL**



RIGID MAST ARM MOUNTING DETAILS

SPECIFICATION REFERENCE
703

**SIGNAL HEAD MOUNTING DETAILS
MAST ARM**

VIRGINIA DEPARTMENT OF TRANSPORTATION



ROAD AND BRIDGE STANDARDS

REVISION DATE SHEET 1 OF 1

1303.30