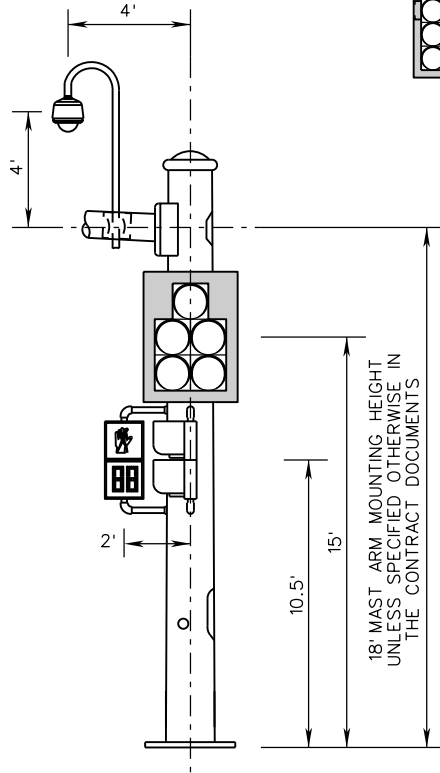
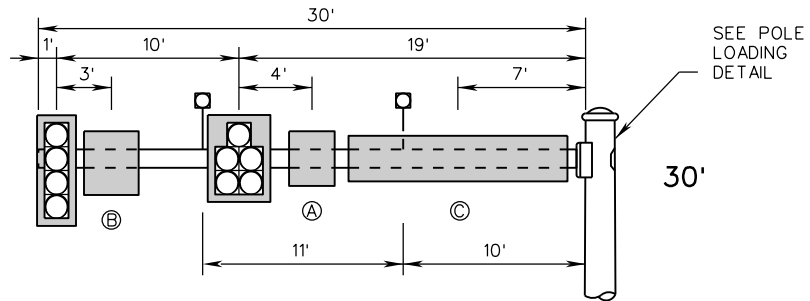
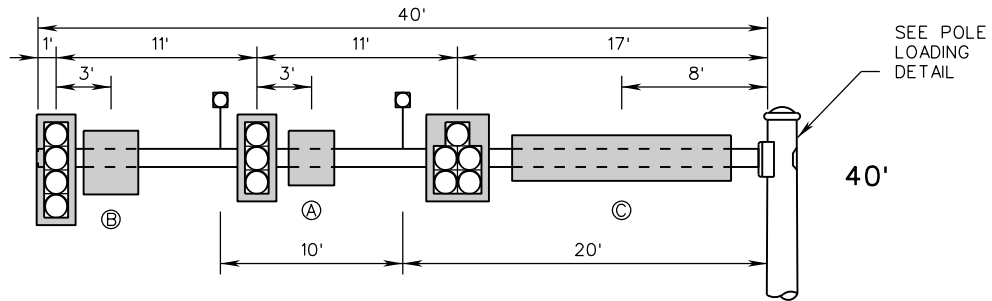
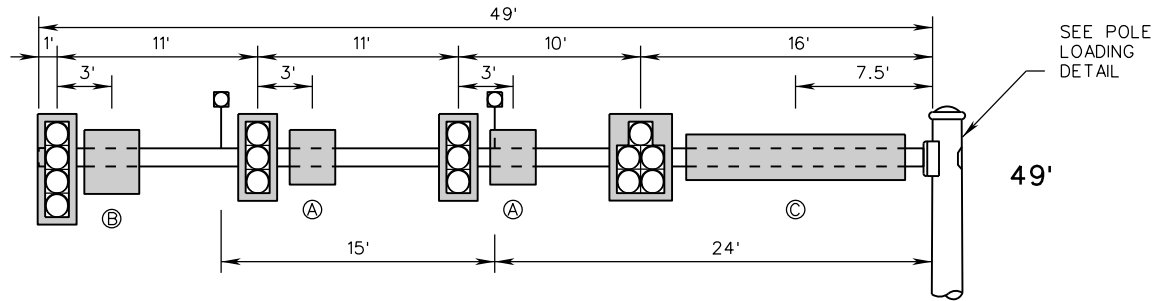
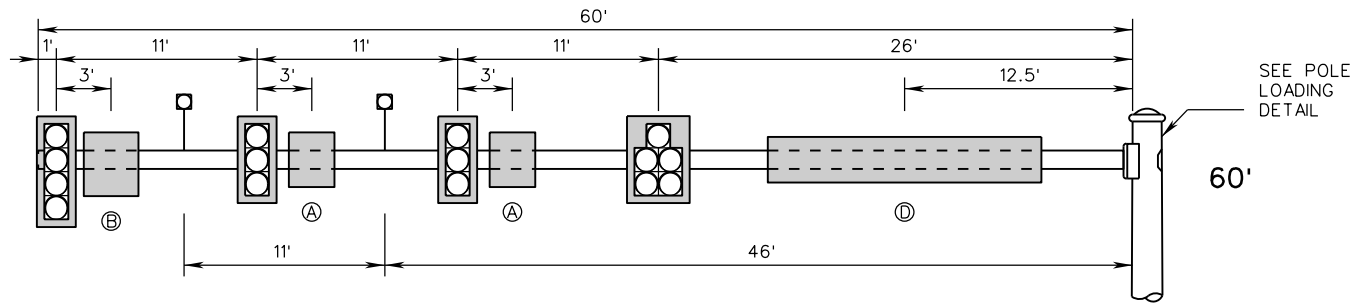


MP-3



POLE LOADING DETAIL

18' MAST ARM MOUNTING HEIGHT UNLESS SPECIFIED OTHERWISE IN THE CONTRACT DOCUMENTS

NOTES:

SEE SHEET 2 FOR NOTES.



ROAD AND BRIDGE STANDARDS

A COPY OF THE ORIGINAL SEALED AND SIGNED DRAWING IS ON FILE IN THE CENTRAL OFFICE.

SIGNAL POLE DETAILS

MAST ARM SIGNAL POLE MAXIMUM LOADING STANDARDS

VIRGINIA DEPARTMENT OF TRANSPORTATION

SPECIFICATION REFERENCE

700

SHEET 3 OF 4

REVISION DATE

1302.26

NEW 02/16