

BCT-DT

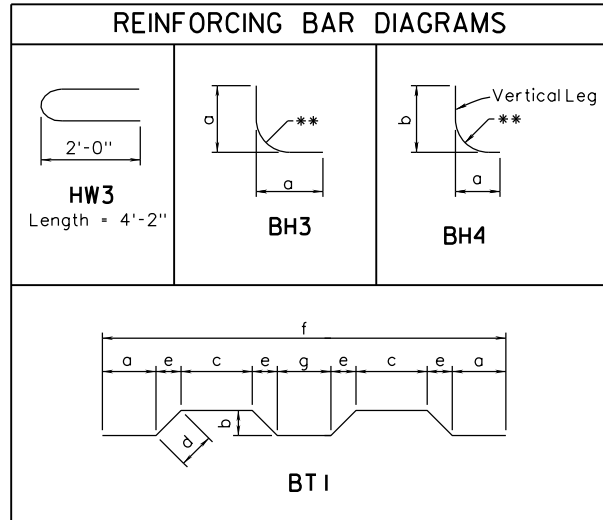
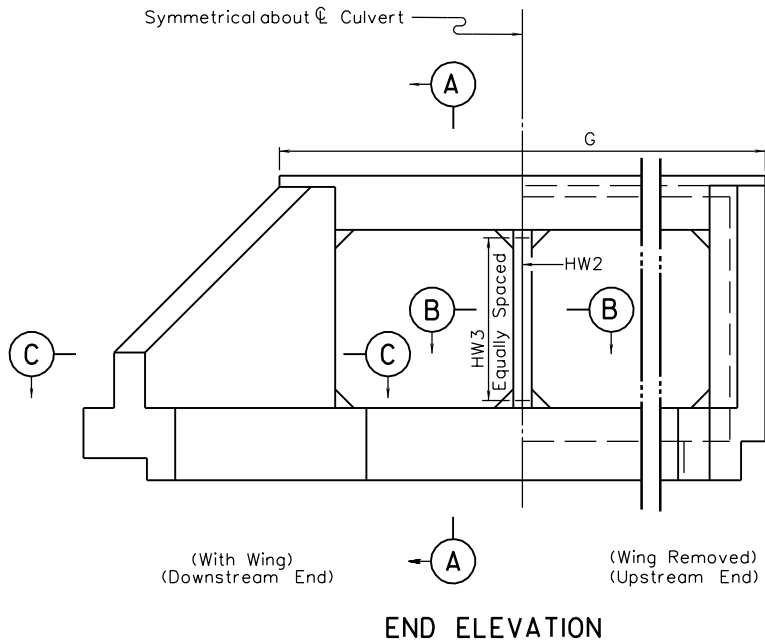
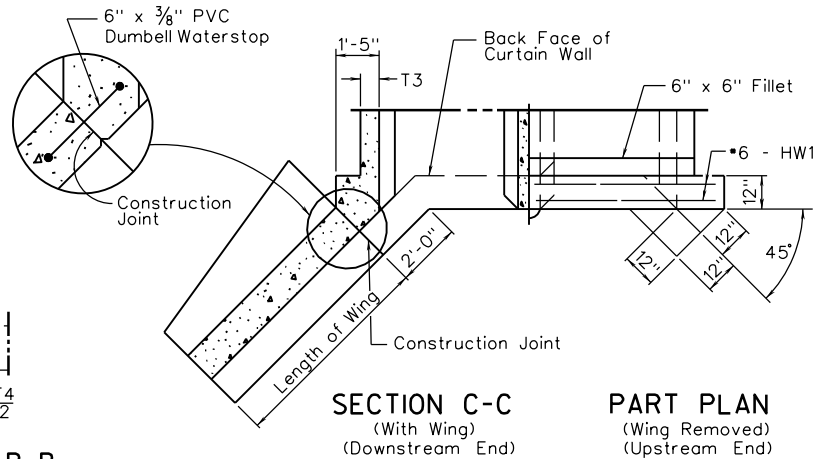
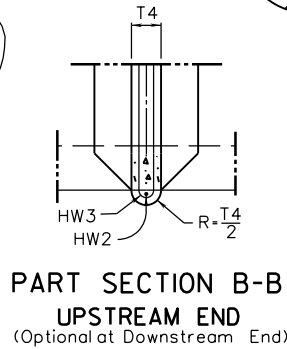
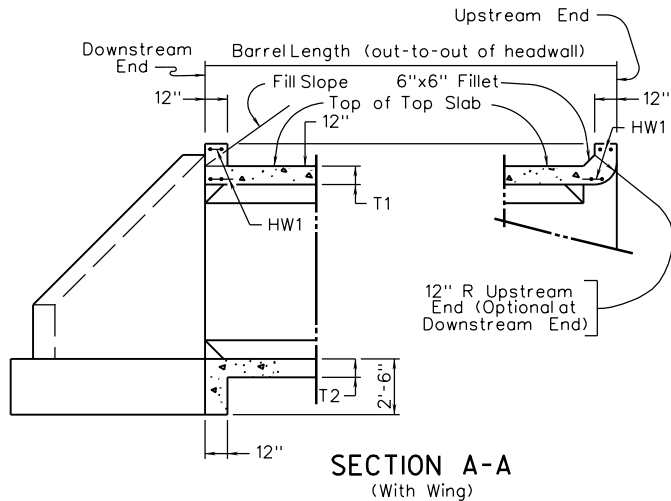


TABLE A	
Bar Size	Pin Dia.
#3	2 1/4"
#4	3"
#5	3 3/4"
#6	4 1/2"
#7	5 1/4"
#8	6"
#9	9"



ROAD AND BRIDGE STANDARDS

SHEET 3 OF 3

REVISION DATE

1004.03

07/11

**TRIPLE BOX CULVERTS**  
STANDARD DETAILS

VIRGINIA DEPARTMENT OF TRANSPORTATION

SPECIFICATION REFERENCE