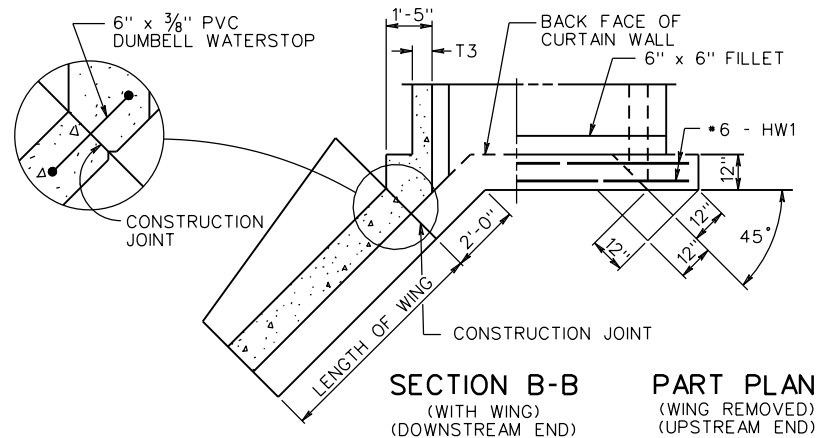
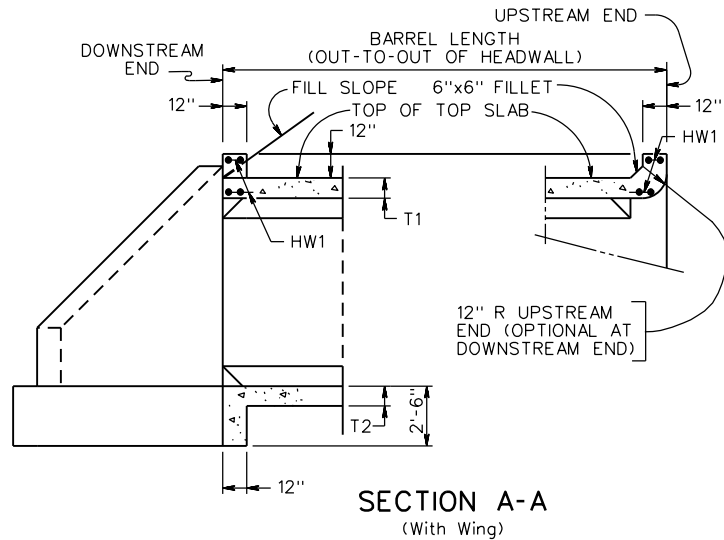
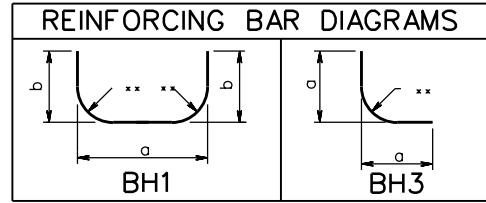
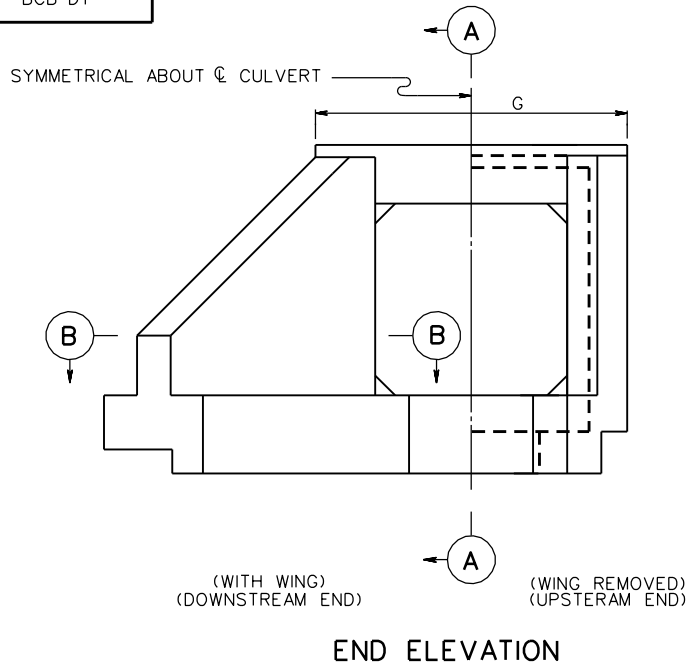


BCB-DT



ROAD AND BRIDGE STANDARDS

SHEET 2 OF 2

REVISION DATE

1001.02

07/11

OVERSIZED BOX CULVERT STANDARD DETAILS

VIRGINIA DEPARTMENT OF TRANSPORTATION

SPECIFICATION
REFERENCE