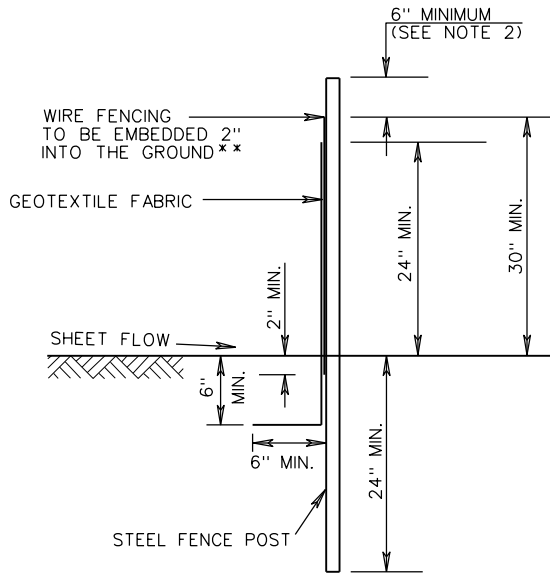


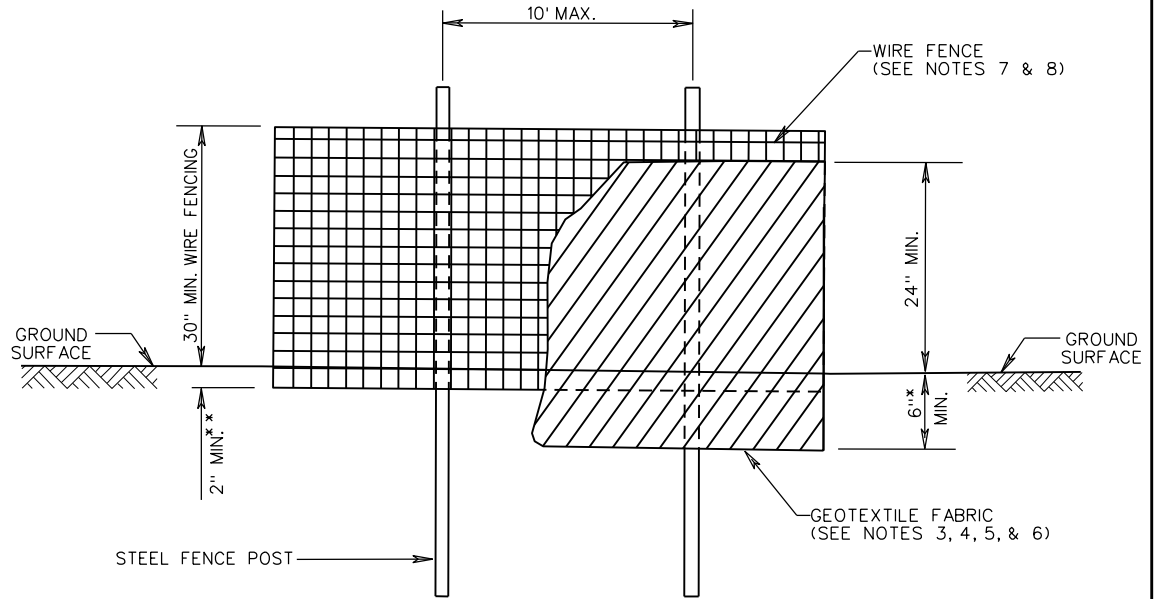
SILT FENCE TYPE B

SEE SHEET 1 FOR NOTES

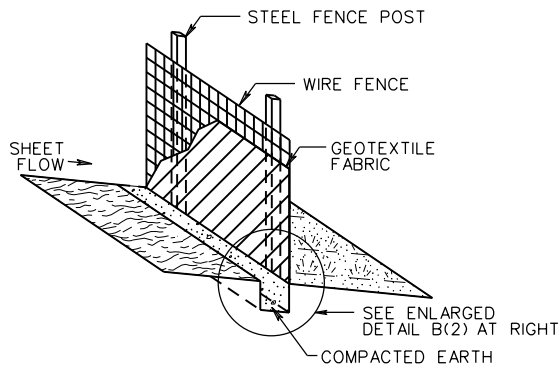
EC-5



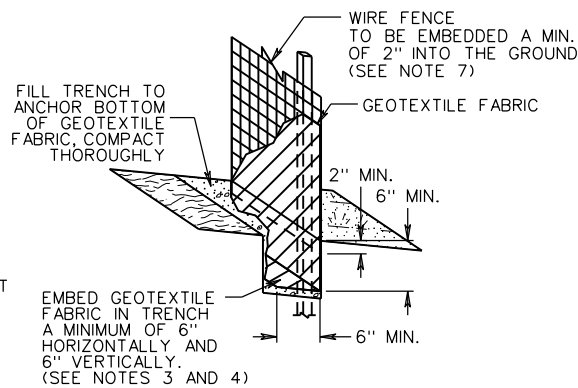
SECTION VIEW



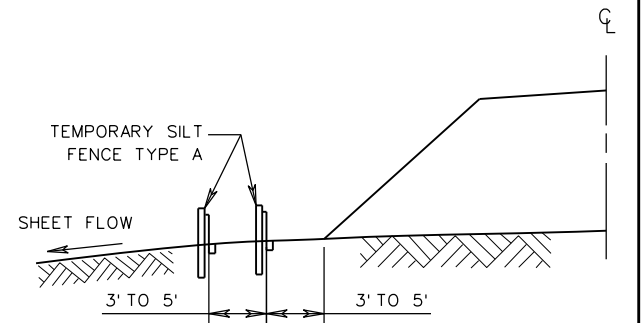
PROFILE VIEW



DETAIL B(1)



DETAIL B(2)



ALTERNATIVE SILT FENCE TYPE B  
(SEE NOTE 10)

SPECIFICATION REFERENCE
107
242
245
303

A COPY OF THE ORIGINAL SEALED AND SIGNED DRAWING IS ON FILE IN THE CENTRAL OFFICE.

**TEMPORARY SILT BARRIERS**  
SILT FENCE (TYPE A & B) AND BRUSH BARRIER  
VIRGINIA DEPARTMENT OF TRANSPORTATION

VDOT

ROAD AND BRIDGE STANDARDS

REVISION DATE

08/14

SHEET 3 OF 4

113.07B